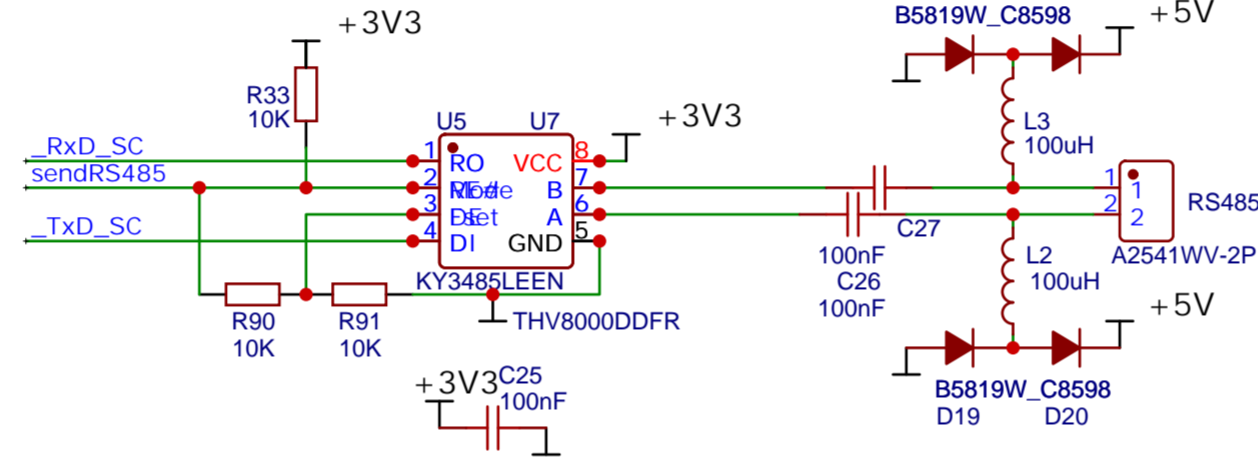
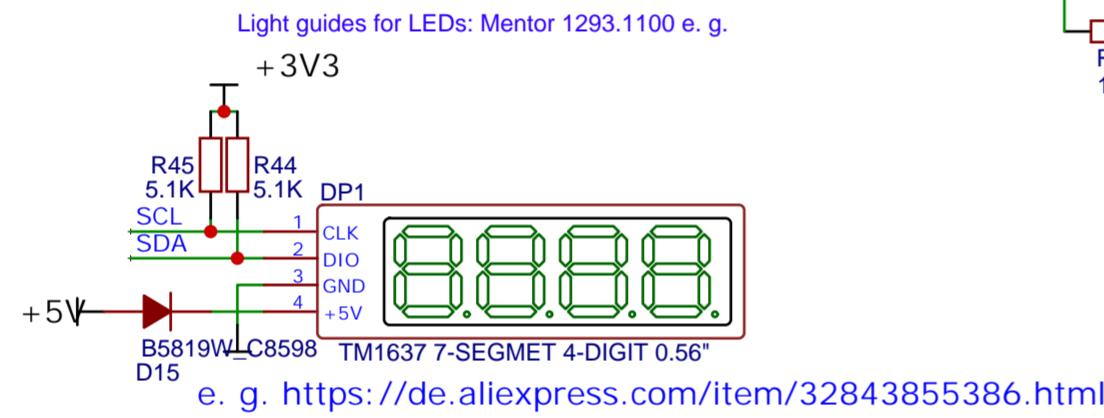
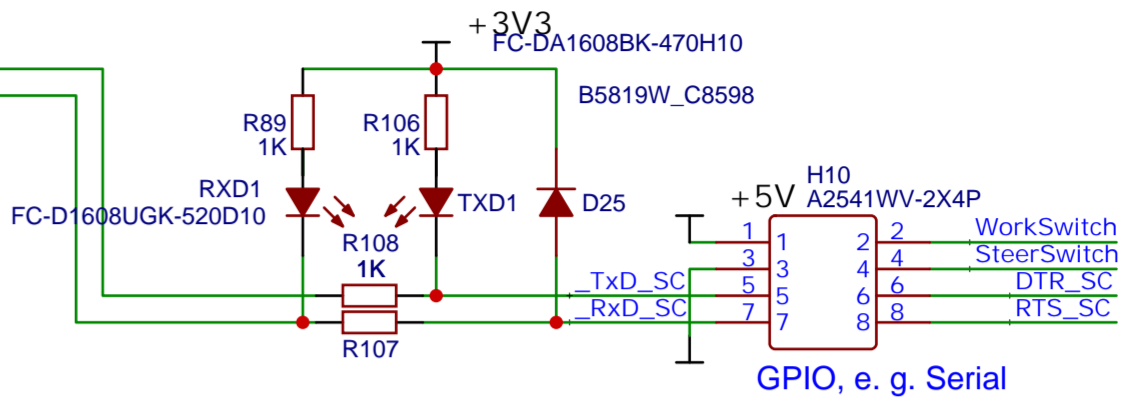
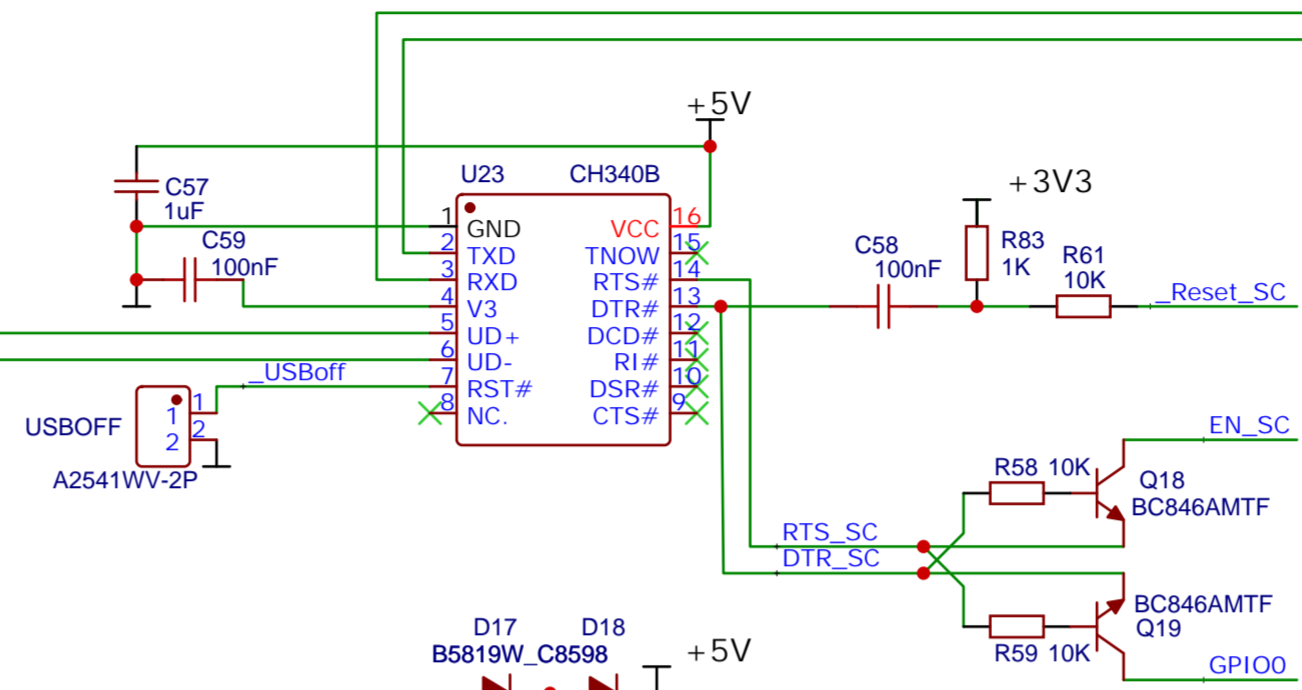
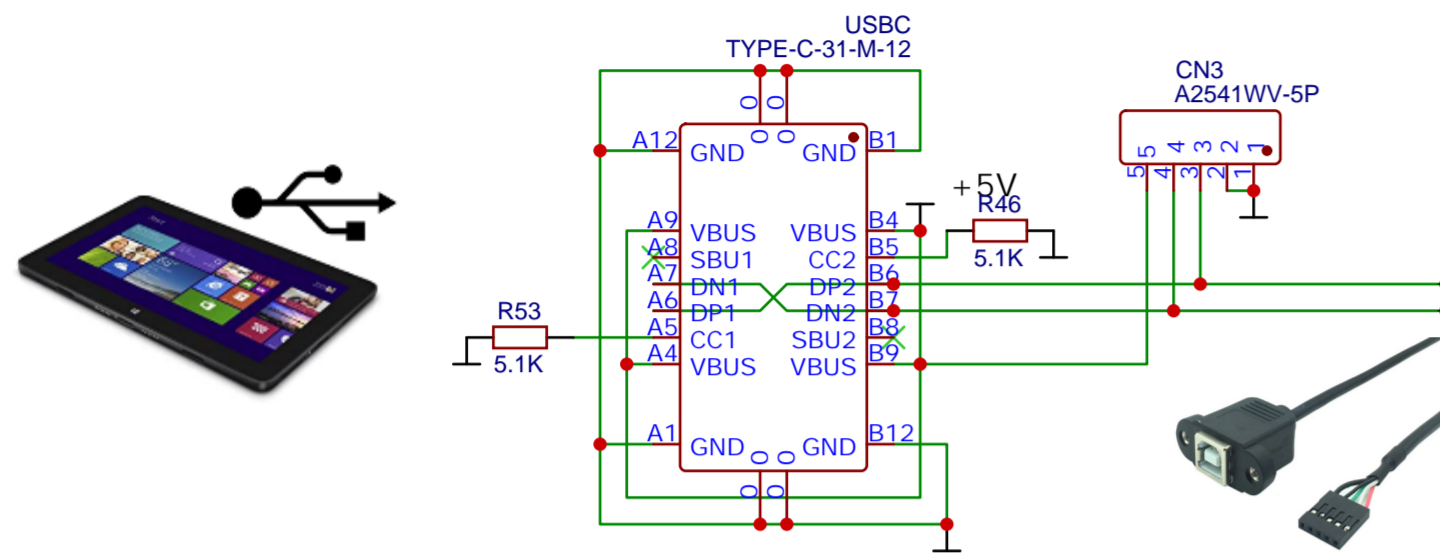


LED colors:
 white: power
 green/blue: serial data Rx/D/TxD
 yellow/orange: I/O
 red: error

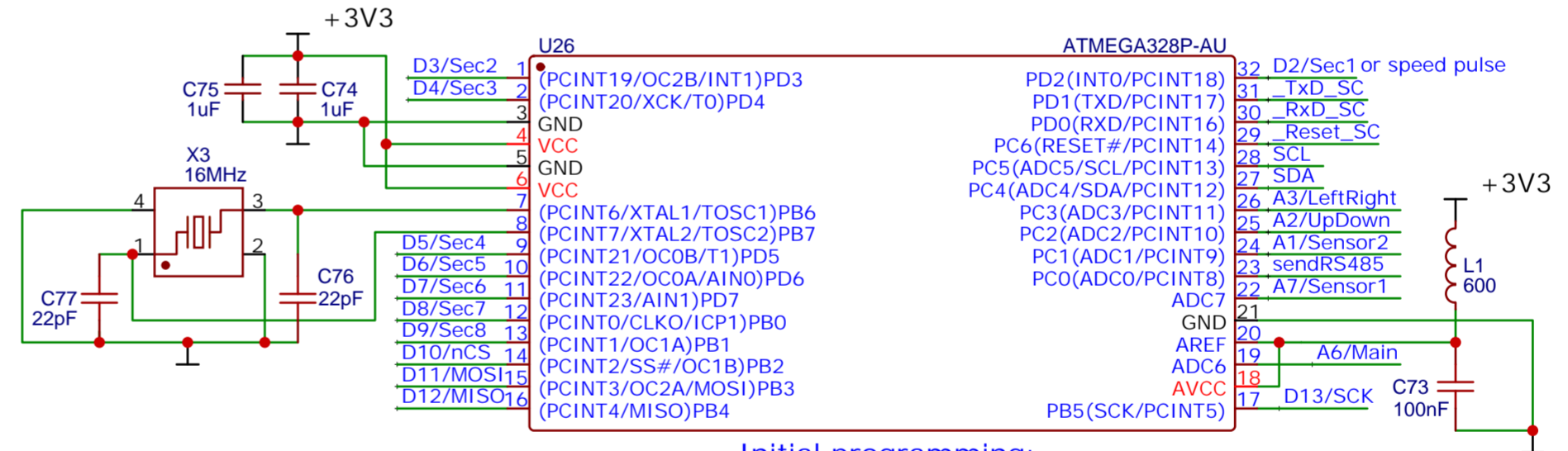
USB: only needed if not connected to Central Unit

from Central Unit Board

USB-C PC/Tablet



Atmel

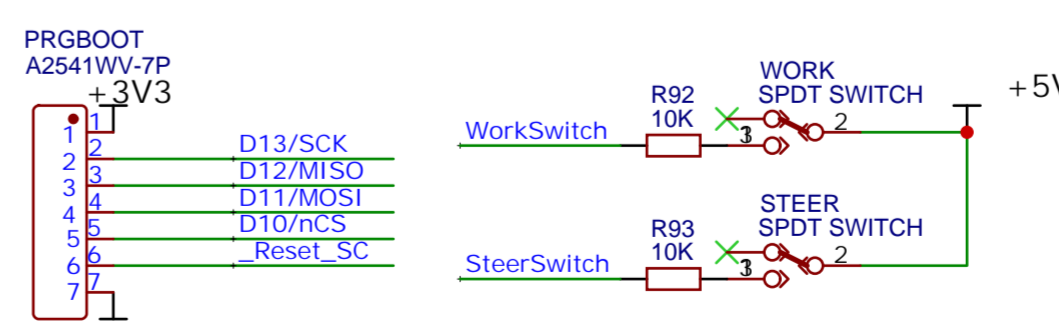
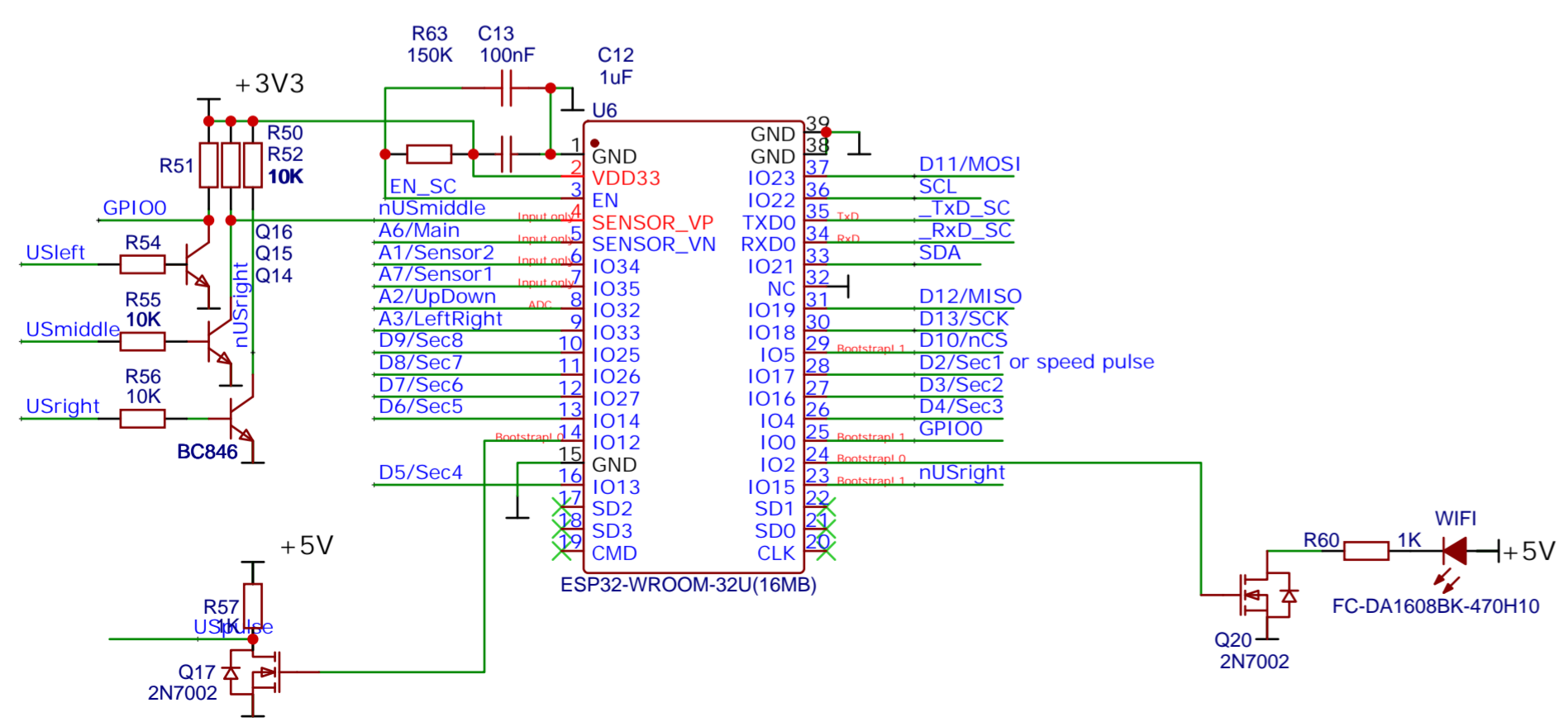


Initial programming:
<https://www.arduino.cc/en/Tutorial/BuiltInExamples/ArduinoISP>

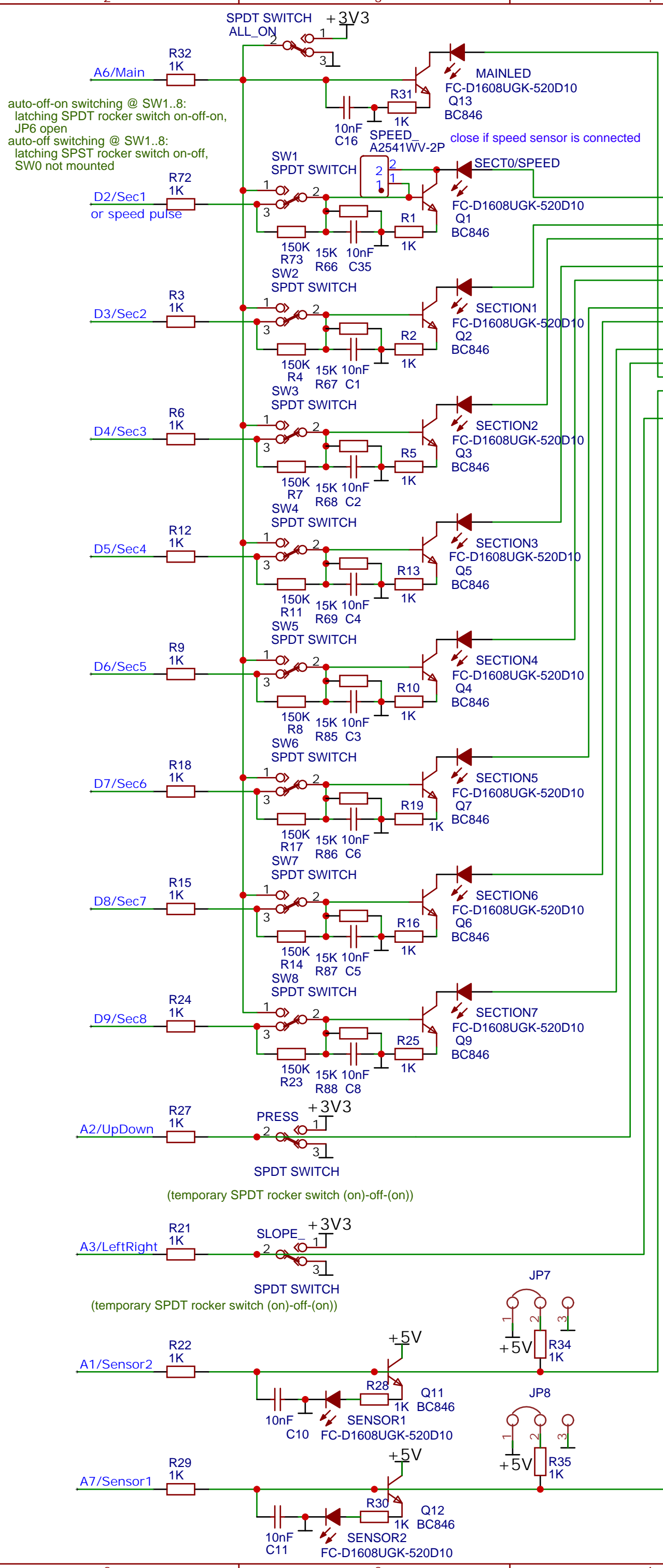
µC: ESP32

https://github.com/mtz8302/AOG_SectionControl_ESP32

...or...



Copyright Gorm Rose 2022.
 This documentation describes Open Hardware and is licensed under the CERN-OHL-S-2.0.
 You may redistribute and modify this documentation under the terms of the CERN-OHL-S-2.0. (<http://ohwr.org/cernohl>). This documentation is distributed WITHOUT ANY EXPRESS OR IMPLIED WARRANTY, INCLUDING OF MERCHANTABILITY, SATISFACTORY QUALITY AND FITNESS FOR A PARTICULAR PURPOSE. Please see the CERN-OHL-S-2.0 for applicable conditions.



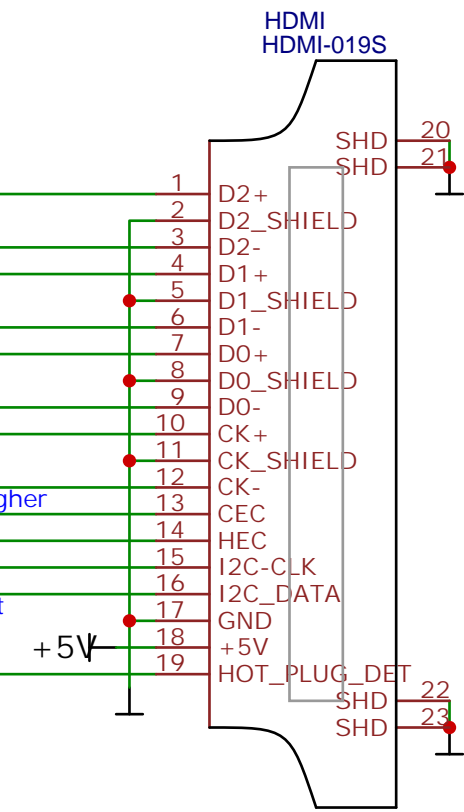
auto-off-on switching @ SW1..8:
latching SPDT rocker switch on-off-on,
JP6 open
auto-off switching @ SW1..8:
latching SPST rocker switch on-off,
SW0 not mounted

(temporary SPDT rocker switch (on)-off-(on))

(temporary SPDT rocker switch (on)-off-(on))

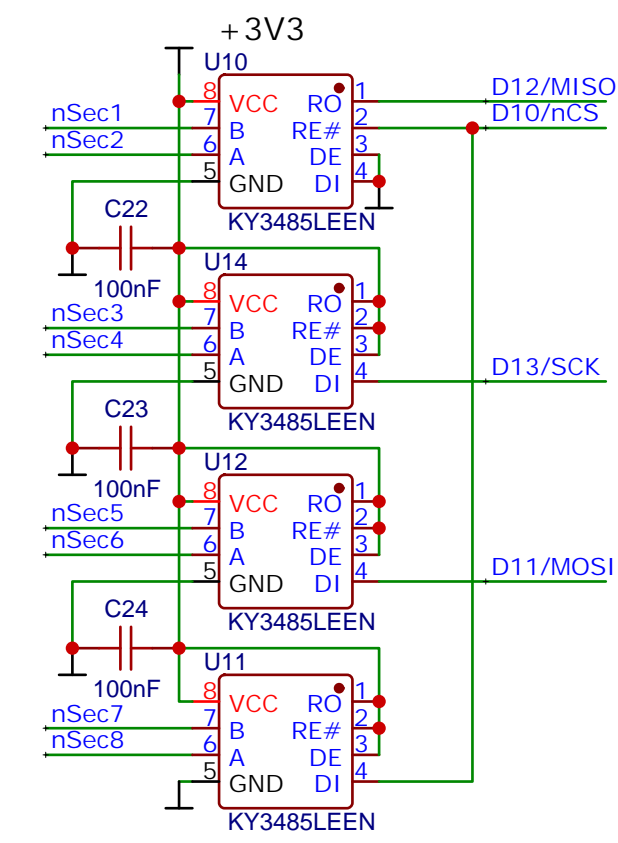
General options

Piggyback - socket @ U5
Cable connection - HDMI1



Option for 48-PWM satellite

instead of R36..43



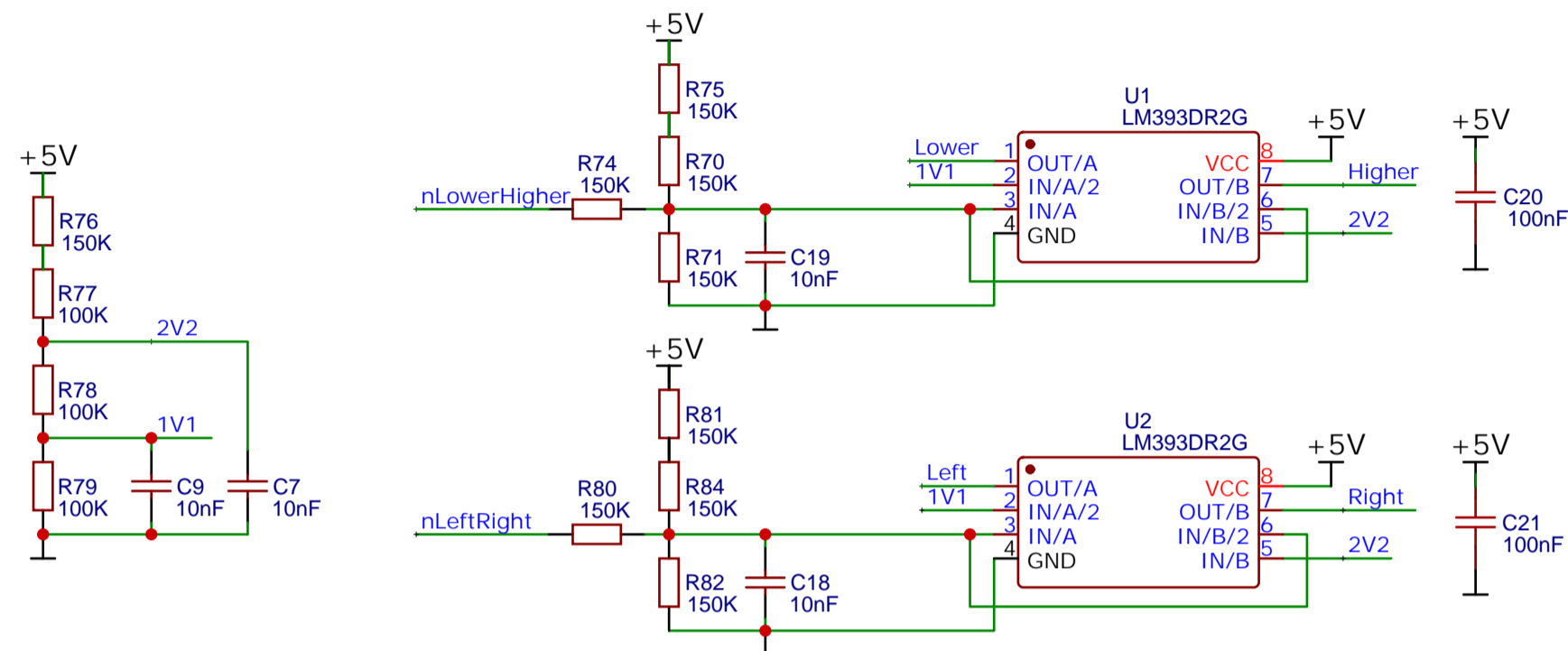
Copyright Gorm Rose 2022.

This documentation describes Open Hardware and is licensed under the CERN-OHL-S-2.0.

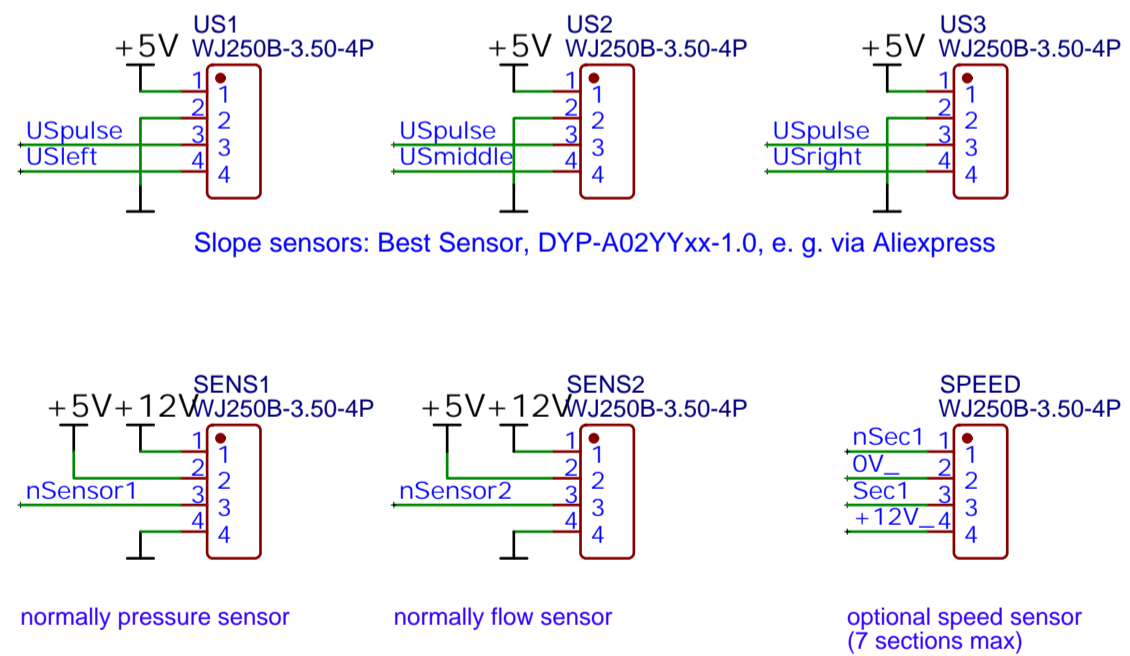
You may redistribute and modify this documentation under the terms of the CERN-OHL-S-2.0. (<http://ohwr.org/cernohl>). This documentation is distributed WITHOUT ANY EXPRESS OR IMPLIED WARRANTY, INCLUDING OF MERCHANTABILITY, SATISFACTORY QUALITY AND FITNESS FOR A PARTICULAR PURPOSE. Please see the CERN-OHL-S-2.0 for applicable conditions.

TITLE:	Machine Section Control	REV:	1.2
Company:	https://github.com/gormr	Sheet:	2/4
Date:	2022-02-12	Drawn By:	GoRoNb



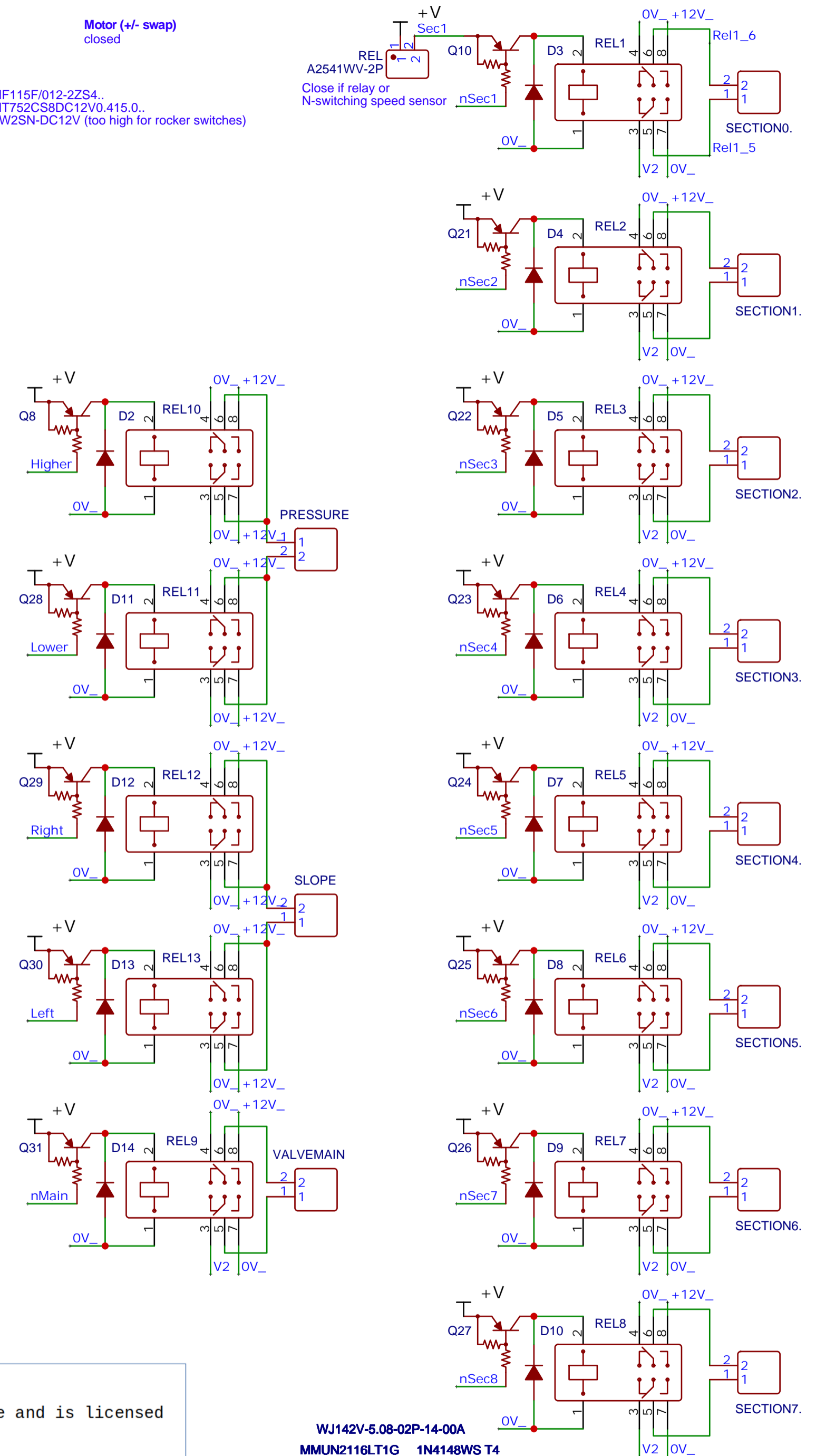


Sensors Connector



Valve (on/off) open
 Motor (+/- swap) closed

Hongfa: HF115F/012-2ZS4..
 NingboForward: NT752CS8DC12V0.415.0..
 Panasonic: JW2SN-DC12V (too high for rocker switches)



WJ142V-5.08-02P-14-00A
 MMUN2116LT1G 1N4148WS T4

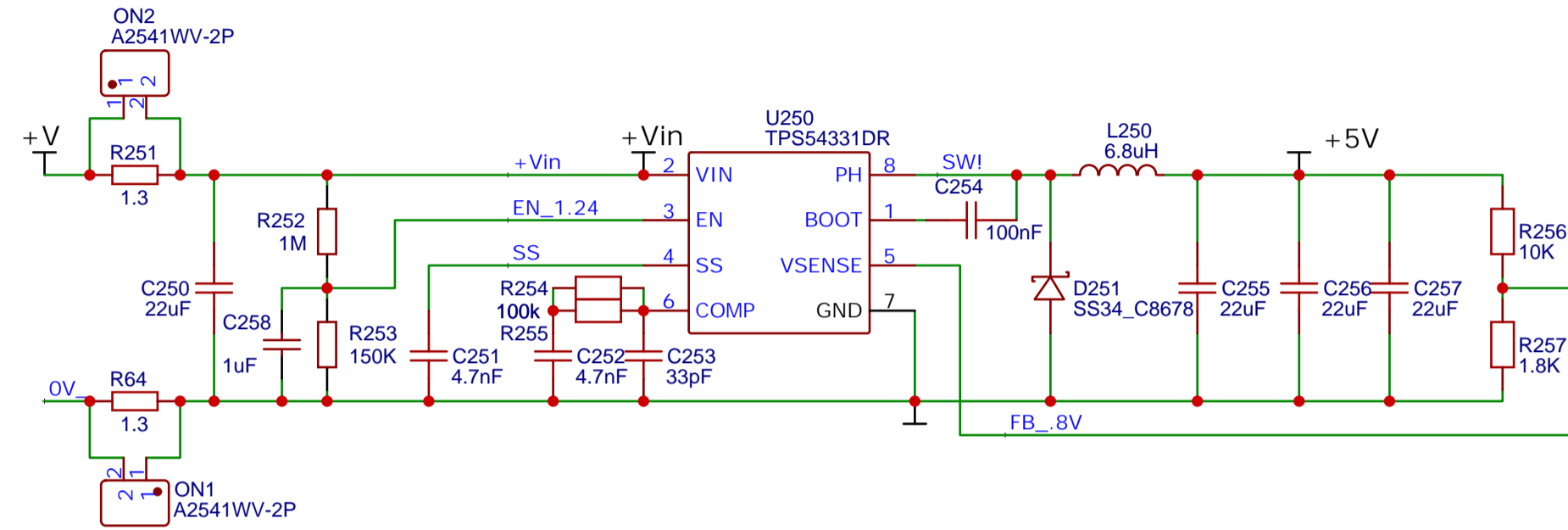
Copyright Gorm Rose 2022.

This documentation describes Open Hardware and is licensed under the CERN-OHL-S-2.0.

You may redistribute and modify this documentation under the terms of the CERN-OHL-S-2.0. (<http://ohwr.org/cernohl>). This documentation is distributed WITHOUT ANY EXPRESS OR IMPLIED WARRANTY, INCLUDING OF MERCHANTABILITY, SATISFACTORY QUALITY AND FITNESS FOR A PARTICULAR PURPOSE. Please see the CERN-OHL-S-2.0 for applicable conditions.

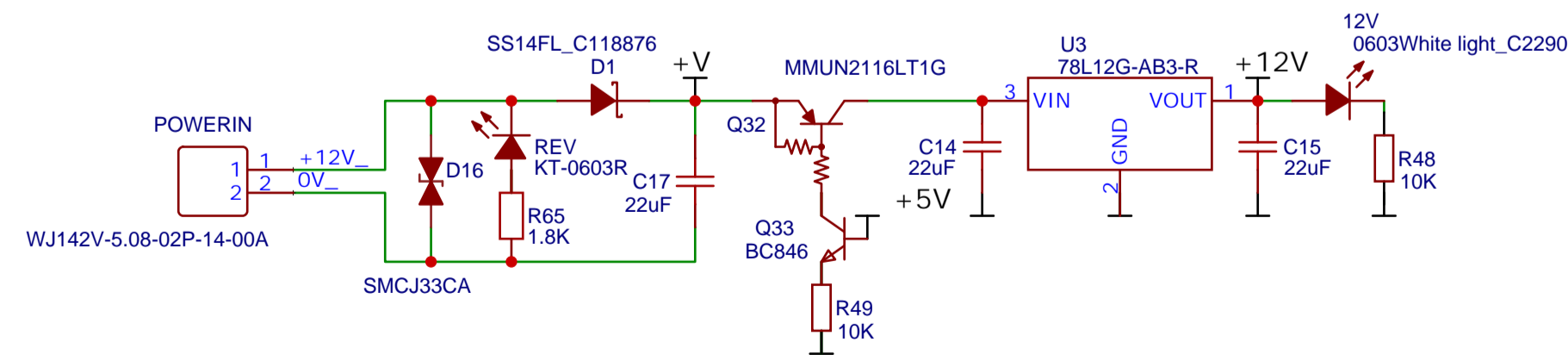
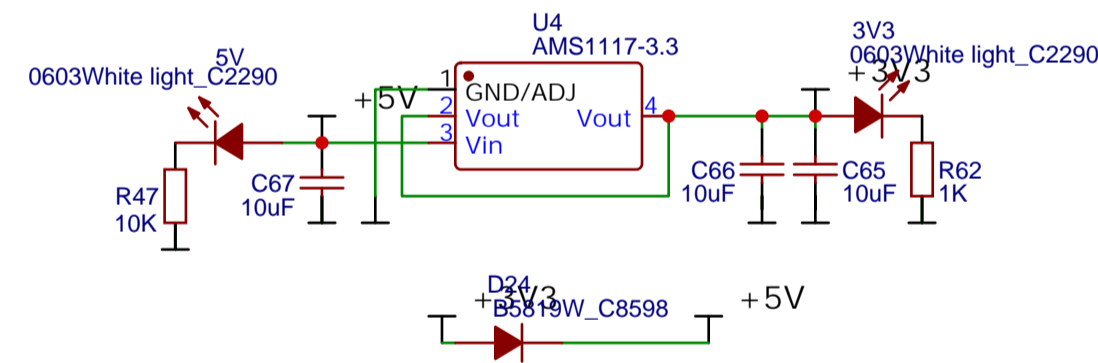
TITLE: Machine Section Control		REV: 1.2
EasyEDA	Company: https://github.com/gormr	Sheet: 3/4
	Date: 2022-02-12	Drawn By: GoRoNb

Switch Mode Power Supply Batt => 5V (needed for Ethernet and Wifi only)



Power Supply 5V => 3V3

only needed for ESP32



Copyright Gorm Rose 2022.

This documentation describes Open Hardware and is licensed under the CERN-OHL-S-2.0.

You may redistribute and modify this documentation under the terms of the CERN-OHL-S-2.0. (<http://ohwr.org/cernohl>). This documentation is distributed WITHOUT ANY EXPRESS OR IMPLIED WARRANTY, INCLUDING OF MERCHANTABILITY, SATISFACTORY QUALITY AND FITNESS FOR A PARTICULAR PURPOSE. Please see the CERN-OHL-S-2.0 for applicable conditions.

TITLE:	Power Supply	REV:	1.2
Company	https://github.com/gormr	Sheet:	4/4
Date:	2022-02-12	Drawn By:	GoRoNb