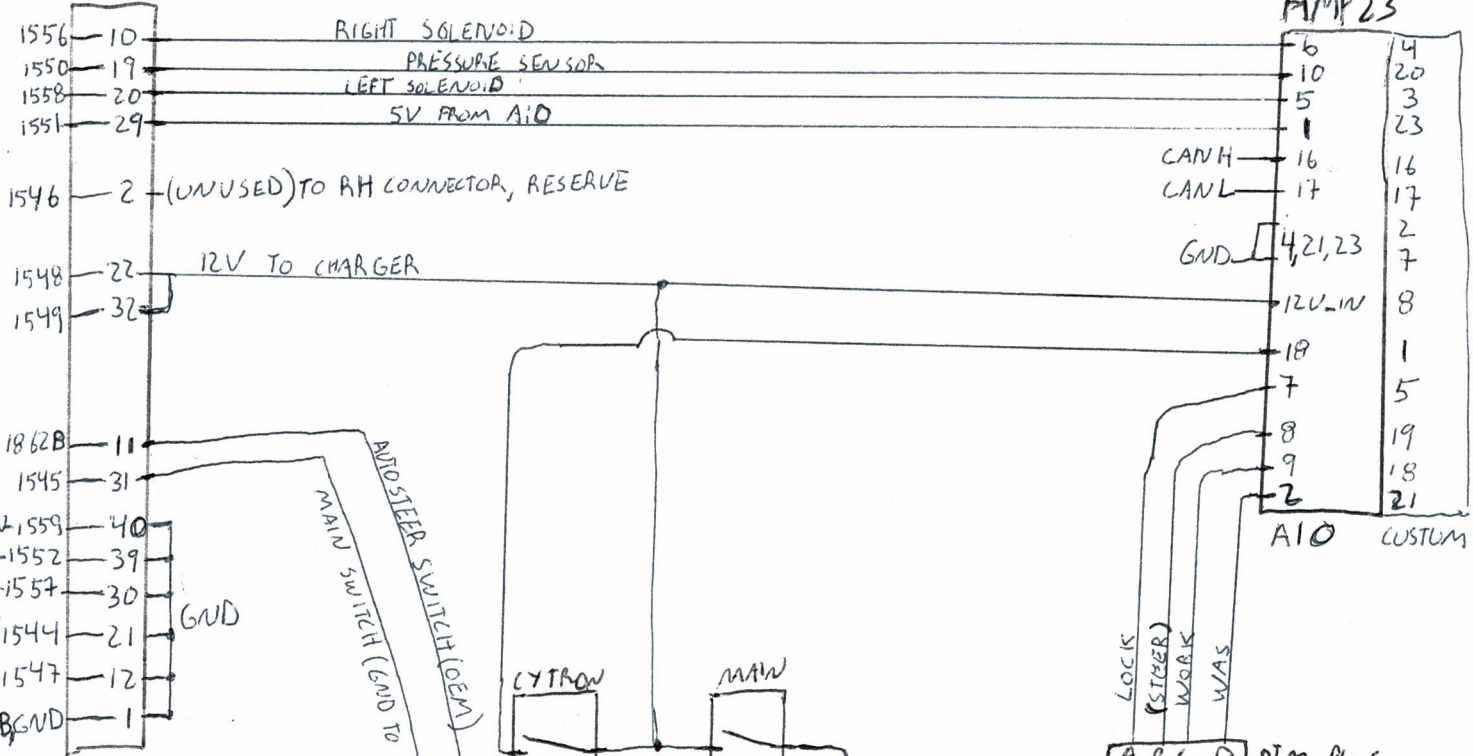
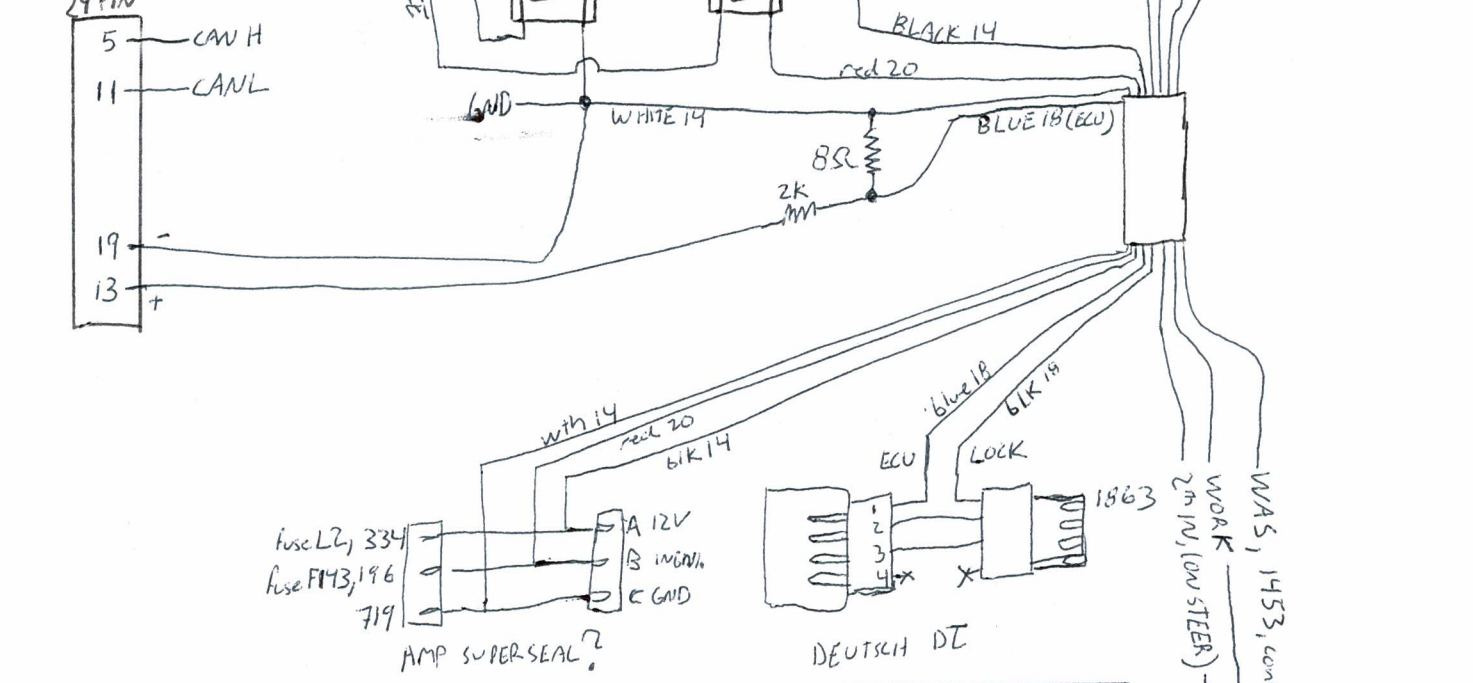


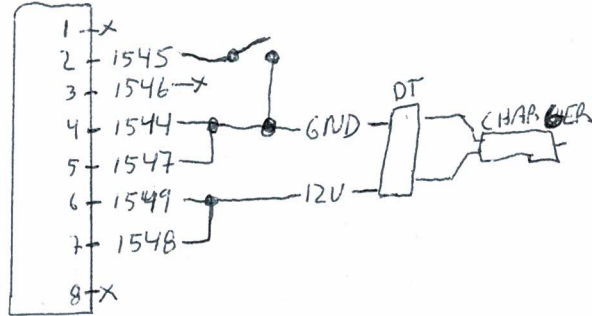
DEUTSCH DRC26-40SA  
40 pin



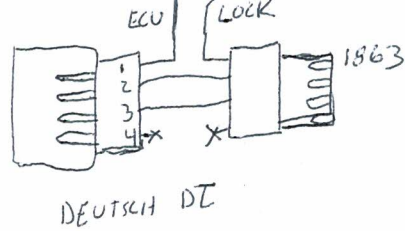
DEUTSCH DRC26-24S  
24 pin

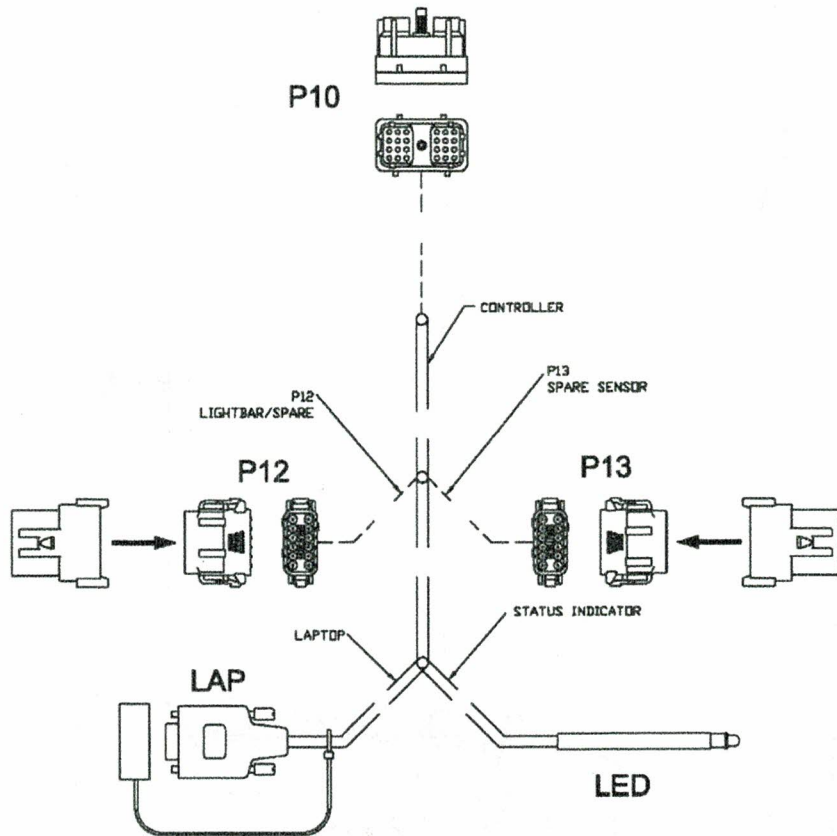


RIGHT SIDE 8 PIN DEUTSCH DTM PLUG



WAS, 1453, connector  
or of 65, pin 26 - Tell  
150 PLUG, PIN 4, wire 1489  
24 IN, LOW STEER) - 150 PLUG, PIN 5, unused





WIRING CHART				
WIRE ID#	CONN-TERM	CONN-TERM	WIRE COLOR SIZE	DESCRIPTION
1	P10-13	LED-A	GY 18	SENSOR 12V OUT
2	P10-19	LED-B	BR 18	STATUS LED
3	P10-2	LAP-2	RD/WH 18	AP DIAG RS232 TX
4	P10-8	LAP-3	DR 18	AP DIAG RS232 RX
5	P10-14	LAP-5	YW 18	AP DIAG RS232 GND
6	P10-5	P12-1	BR 18	CAN2 HIGH
7	P10-11	P12-12	GY 18	CAN2 LOW
8	P10-17	P12-4	BU 18	CAN2 GND
9	P10-23	P12-2	RD/WH 18	AP AUXDISP RS232 TX
10	P10-6	P12-3	DR 18	AP AUXDISP RS232 RX
11	P10-12	P12-5	GN 18	AP AUXDISP RS232 GND
12	P10-18	P12-11	BK 18	LB PWR -
13	P10-24	P12-10	RD 18	LB PWR +
14	P10-1	LAP-1	BK/WH 18	BATT- OUT
15	P10-3	P13-4	BR 18	ROADING SWITCH 12V IN
16	P10-4	P13-3	RD/WH 18	IN 12V 5 AD
17	P10-7	P13-7	RD 18	BATT+ OUT
18	P10-9	P13-10	BK 18	OUT 12V 2 D
19	P10-10	P13-2	BR 18	+5V OUT
20	P10-15	P13-9	GY 18	
21	P10-16	P13-1	BU 18	+12V OUT
22	P10-20	P13-5	GY 18	HI IMP REV
23	P10-21	P13-12	BK 18	GND SIG
24	P10-22	P13-11	BK 18	GND SIG

CONNECTOR CHART-REFERENCE			
CONN-TERM	WIRE ID#	COLOR	DESCRIPTION
P10-1	14	BK/WH	BATT- OUT
P10-2	3	RD/WH	AP DIAG RS232 TX
P10-3	15	BR	ROADING SWITCH 12V IN
P10-4	16	RD/WH	IN 12V 5 AD
P10-5	6	BR	CAN2 HIGH
P10-6	10	DR	AP AUXDISP RS232 RX
P10-7	17	RD	BATT+ OUT
P10-8	4	DR	AP DIAG RS232 RX
P10-9	18	BK	OUT 12V 2 D
P10-10	19	BR	+5V OUT
P10-11	7	GY	CAN2 LOW
P10-12	11	GN	AP AUXDISP RS232 GND
P10-13	1	GY	SENSOR 12V OUT
P10-14	5	YW	AP DIAG RS232 GND
P10-15	20	GY	
P10-16	21	BU	+12V OUT
P10-17	8	BU	CAN2 GND
P10-18	12	BK	LB PWR -
P10-19	2	BR	STATUS LED
P10-20	22	GY	HI IMP REV
P10-21	23	BK	GND SIG
P10-22	24	BK	GND SIG
P10-23	9	RD/WH	AP AUXDISP RS232 TX
P10-24	13	RD	LB PWR +

CONNECTOR CHART-REFERENCE			
CONN-TERM	WIRE ID#	COLOR	DESCRIPTION
P12-1	6	BR	CAN2 HIGH
P12-2	9	RD/WH	AP AUXDISP RS232 TX
P12-3	10	DR	AP AUXDISP RS232 RX
P12-4	8	BU	CAN2 GND
P12-5	11	GN	AP AUXDISP RS232 GND
P12-10	13	RD	LB PWR +
P12-11	12	BK	LB PWR -
P12-12	7	GY	CAN2 LOW
P13-1	21	BU	+12V OUT
P13-2	19	BR	+5V OUT
P13-3	16	RD/WH	IN 12V 5 AD
P13-4	15	BR	ROADING SWITCH 12V IN
P13-5	22	GY	HI IMP REV
P13-7	17	RD	BATT+ OUT
P13-9	20	GY	
P13-10	18	BK	OUT 12V 2 D
P13-11	24	BK	GND SIG
P13-12	23	BK	GND SIG
LAP-1	14	BK/WH	BATT- OUT
LAP-2	3	RD/WH	AP DIAG RS232 TX
LAP-3	4	DR	AP DIAG RS232 RX
LAP-5	5	YW	AP DIAG RS232 GND
LED-A	1	GY	SENSOR 12V OUT
LED-B	2	BR	STATUS LED

tape = front p10 clock  
963?

### CONNECTOR CHART-REFERENCE

CONN-TERM	WIRE ID#	COLOR	DESCRIPTION
P1-1	1	BK	BATTERY GROUND
P1-2	5	DR	AUTOPILOT GPS RS232 RX
P1-3	9	BR	CAN1 HIGH (DISPLAY)
P1-4	12	DR	AUTOPILOT DISPLAY RS232 RX
P1-5	16	VH	SIGNALERT V+
P1-6	20	VT	REMOTE ENGAGE 12V IN
P1-7	24	DR	RPM/NEUTRAL SENSE 5V IN
P1-8	28	RD/WH	STEERING FAULT 5V IN
P1-9	32	YV	STEERING SENSOR 5V-
P1-10	36	BR	VALVE DRIVE COIL A V+
P1-11	2	RD	SWITCHED VDC+
P1-12	6	GN	AUTOPILOT GPS RS232 GND
P1-13	10	RD/WH	CAN1 LOW (DISPLAY)
P1-14	13	GN	AUTOPILOT DISPLAY RS232 GND
P1-15	17	GY	SIGNALERT GND
P1-16	21	BR	WHEEL SPEED 5V IN
P1-17	25	VH	ENCODER CH-28 5V IN
P1-18	29	BR	STEERING SENSOR 5V+ IN
P1-19	33	DR	MANUAL OVERRIDE 5V IN
P1-20	37	BU	VALVE DRIVE COIL B V+
P1-21	3	YV	GPS PPS 5V IN
P1-22	7	BK	GPS PWR+
P1-24	14	BK	DISPLAY PWR -
P1-25	18	RD/WH	12V SIG OUT-1 (SPARE)
P1-26	22	GY	GEAR LEVER 12V IN
P1-27	26	RD/WH	+5V OUT (SPARE)
P1-28	30	RD/WH	STEERING SENSOR 5V- IN
P1-29	34	RD/WH	MANUAL OVERRIDE 5V+
P1-30	38	RD/WH	VALVE DRIVE COIL A V-
P1-31	4	RD/WH	AUTOPILOT GPS RS232 TX
P1-32	8	RD	GPS PWR+
P1-33	11	RD/WH	AUTOPILOT DISPLAY RS232 TX
P1-34	15	RD	DISPLAY PWR +
P1-35	19	BU	OPERATOR PRESENCE 12V IN
P1-36	23	YV	CAN 1 GND
P1-37	27	BR	SIG GND (SPARE)
P1-38	31	DR	STEERING SENSOR 5V+
P1-39	35	GN	MANUAL OVERRIDE GND
P1-40	39	GN	VALVE DRIVE COIL B V-
P2-1	1	BK	BATTERY GROUND
P2-2	2	RD	SWITCHED VDC+

### CONNECTOR CHART-REFERENCE

CONN-TERM	WIRE ID#	COLOR	DESCRIPTION
P3-2	4	RD/WH	AUTOPILOT GPS RS232 TX
P3-3	5	DR	AUTOPILOT GPS RS232 RX
P3-4	3	YV	GPS PPS 5V IN
P3-5	6	GN	AUTOPILOT GPS RS232 GND
P3-6	8	RD	GPS PWR+
P3-7	7	BK	GPS PWR-
P4-1	9	BR	CAN1 HIGH (DISPLAY)
P4-2	11	RD/WH	AUTOPILOT DISPLAY RS232 TX
P4-3	12	DR	AUTOPILOT DISPLAY RS232 RX
P4-5	13	GN	AUTOPILOT DISPLAY RS232 GND
P4-10	13	RD	DISPLAY PWR +
P4-11	14	BK	DISPLAY PWR -
P4-12	10	YV	CAN1 LOW (DISPLAY)
P5-1	21	BR	WHEEL SPEED 5V IN
P5-2	26	RD/WH	+5V OUT (SPARE)
P5-3	24	DR	RPM/NEUTRAL SENSE 5V IN
P5-4	23	YV	CAN 1 GND
P5-6	19	BU	OPERATOR PRESENCE 12V IN
P5-7	20	VT	REMOTE ENGAGE 12V IN
P5-8	22	GY	GEAR LEVER 12V IN
P5-9	25	VH	ENCODER CH-28 5V IN
P5-10	18	RD/WH	12V SIG OUT-1 (SPARE)
P5-11	27	GN	SIG GND (SPARE)
P5-12	28	PK	STEERING FAULT 5V IN
P6-1	29	BR	STEERING SENSOR 5V+ IN
P6-2	30	RD/WH	STEERING SENSOR 5V- IN
P6-3	31	DR	STEERING SENSOR 5V+
P6-4	32	YV	STEERING SENSOR GND
P7-1	33	DR	MANUAL OVERRIDE 5V IN
P7-2	34	RD/WH	MANUAL OVERRIDE 5V+
P7-3	35	GN	MANUAL OVERRIDE GND
P8-1	36	BR	VALVE DRIVE COIL A V+
P8-2	38	RD/WH	VALVE DRIVE COIL A V-
P8-5	39	GN	VALVE DRIVE COIL B V-
P8-6	37	BU	VALVE DRIVE COIL B V+
P9-A	16	VH	SIGNALERT V+
P9-B	17	GY	SIGNALERT GND

CONTROLLER

GPS

DISPLAY

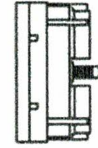
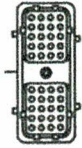
VEHICLE SENSORS

STEERING SENSOR

OVERVERRIDE

HYDRAULIC VALVE

SIGNALERT



P1

### WIRING CHART

WIRE ID#	CONN-TERM	CONN-TERM	WIRE COLOR	WIRE SIZE	DESCRIPTION
1	P1-1	P2-1	BK	18	BATTERY GROUND
2	P1-11	P2-2	RD	18	SWITCHED VDC+
3	P1-21	P3-4	YV	18	GPS PPS 5V IN
4	P1-31	P3-2	RD/WH	18	AUTOPILOT GPS RS232 TX
5	P1-2	P3-3	DR	18	AUTOPILOT GPS RS232 RX
6	P1-12	P3-5	GN	18	AUTOPILOT GPS RS232 GND
7	P1-22	P3-7	BK	18	GPS PWR+
8	P1-32	P3-6	RD	18	GPS PWR-
9	P1-3	P4-1	BR	18	CAN1 HIGH (DISPLAY)
10	P1-13	P4-12	YV	18	CAN1 LOW (DISPLAY)
11	P1-33	P4-2	RD/WH	18	AUTOPILOT DISPLAY RS232 TX
12	P1-4	P4-3	DR	18	AUTOPILOT DISPLAY RS232 RX
13	P1-14	P4-5	GN	18	AUTOPILOT DISPLAY RS232 GND
14	P1-24	P4-11	BK	18	DISPLAY PWR -
15	P1-34	P4-10	RD	18	DISPLAY PWR +
16	P1-5	P9-A	VH	18	SIGNALERT V+
17	P1-15	P9-B	GY	18	SIGNALERT GND
18	P1-25	P5-10	DR/WH	18	12V SIG OUT-1 (SPARE)
19	P1-35	P5-6	BU	18	OPERATOR PRESENCE 12V IN
20	P1-6	P5-7	VT	18	REMOTE ENGAGE 12V IN
21	P1-16	P5-1	BR	18	WHEEL SPEED 5V IN
22	P1-26	P5-8	GY	18	GEAR LEVER 12V IN
23	P1-26	P5-4	YV	18	CAN 1 GND
24	P1-7	P5-3	DR	18	RPM/NEUTRAL SENSE 5V IN
25	P1-17	P5-9	VH	18	ENCODER CH-28 5V IN
26	P1-27	P5-2	RD/WH	18	+5V OUT (SPARE)
27	P1-37	P5-11	GN	18	SIG GND (SPARE)
28	P1-8	P5-12	PK	18	STEERING FAULT 5V IN
29	P1-18	P6-1	BR	18	STEERING SENSOR 5V+ IN
30	P1-28	P6-2	RD/WH	18	STEERING SENSOR 5V- IN
31	P1-38	P6-3	DR	18	STEERING SENSOR 5V+
32	P1-9	P6-4	YV	18	STEERING SENSOR GND
33	P1-19	P7-1	DR	18	MANUAL OVERRIDE 5V IN
34	P1-29	P7-2	RD/WH	18	MANUAL OVERRIDE 5V+
35	P1-39	P7-3	GN	18	MANUAL OVERRIDE GND
36	P1-10	P8-1	BR	18	VALVE DRIVE COIL A V+
37	P1-20	P8-6	BU	18	VALVE DRIVE COIL B V+
38	P1-30	P8-2	RD/WH	18	VALVE DRIVE COIL A V-
39	P1-40	P8-5	GN	18	VALVE DRIVE COIL B V-

