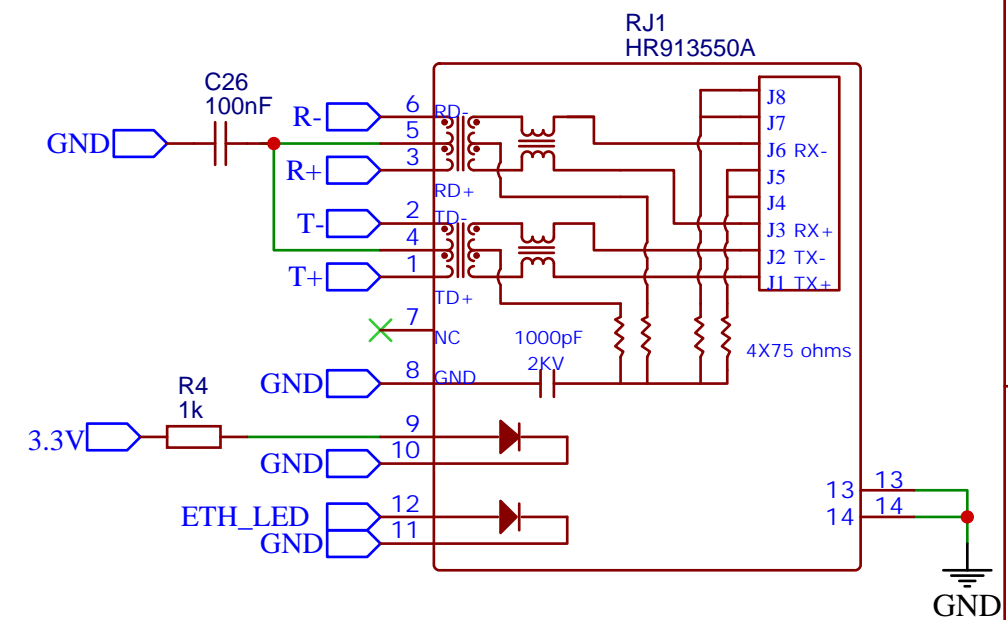
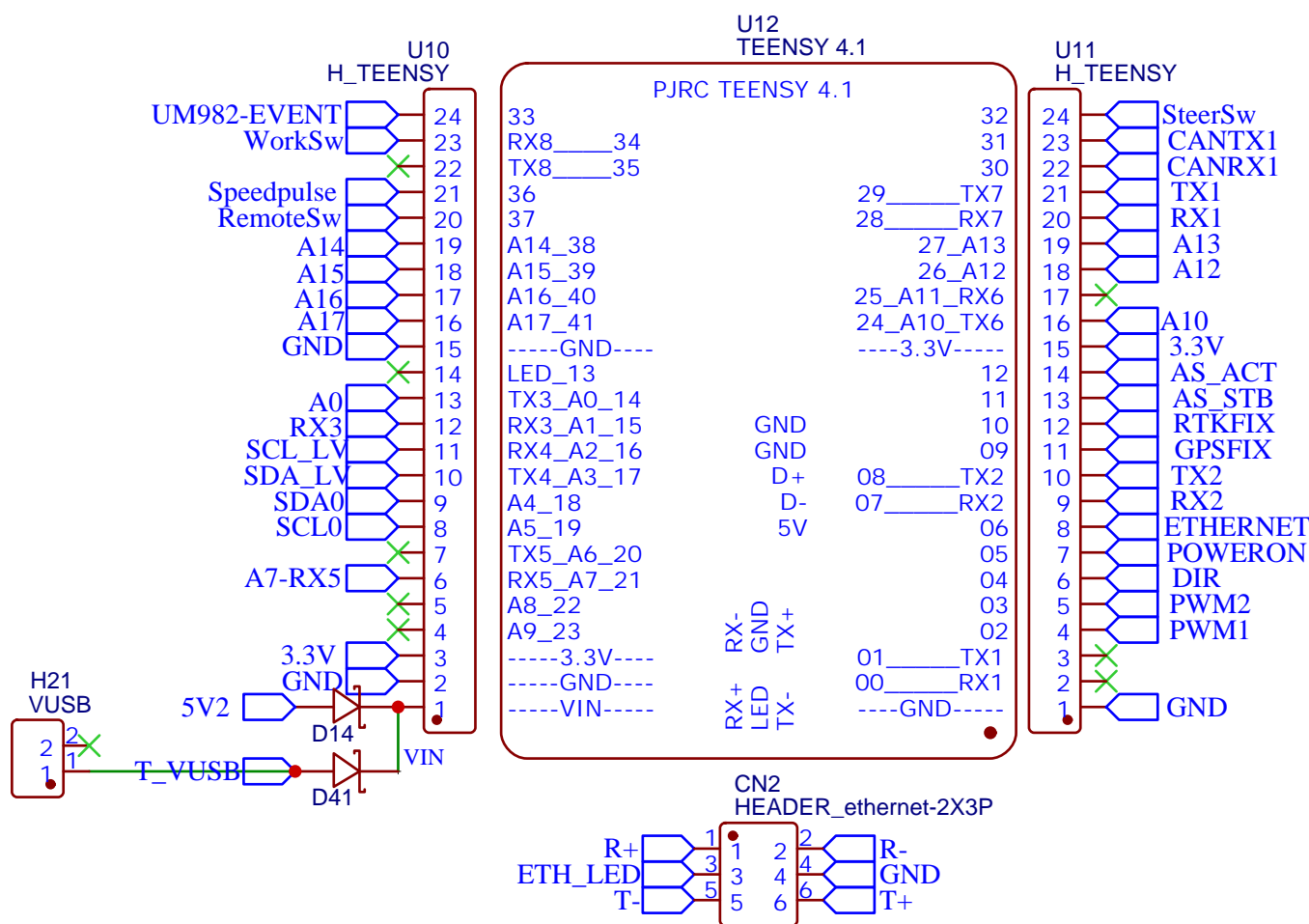
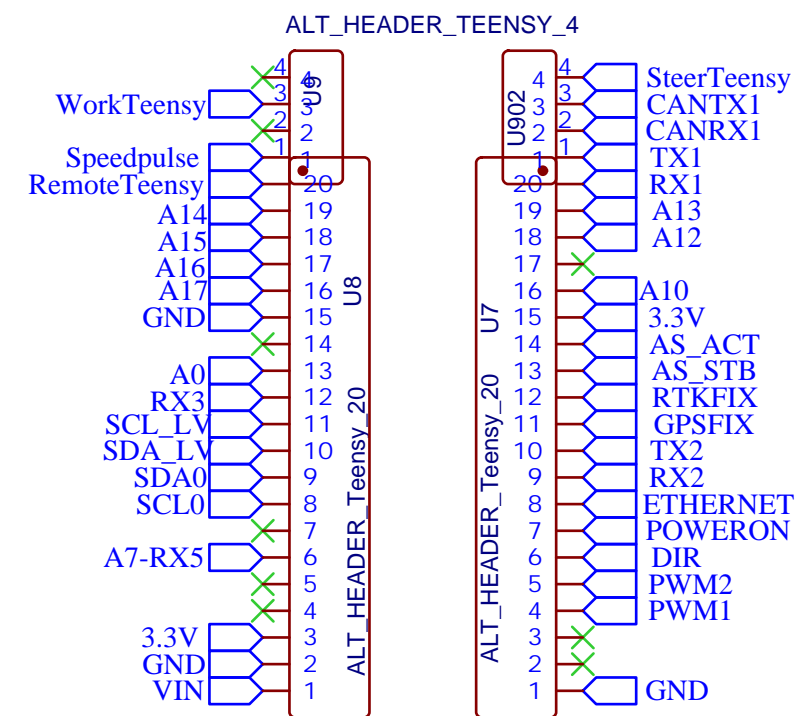
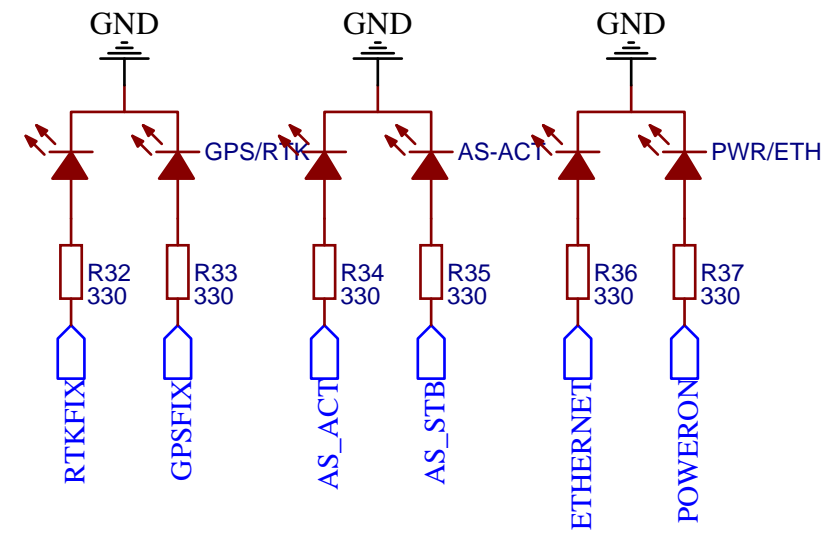
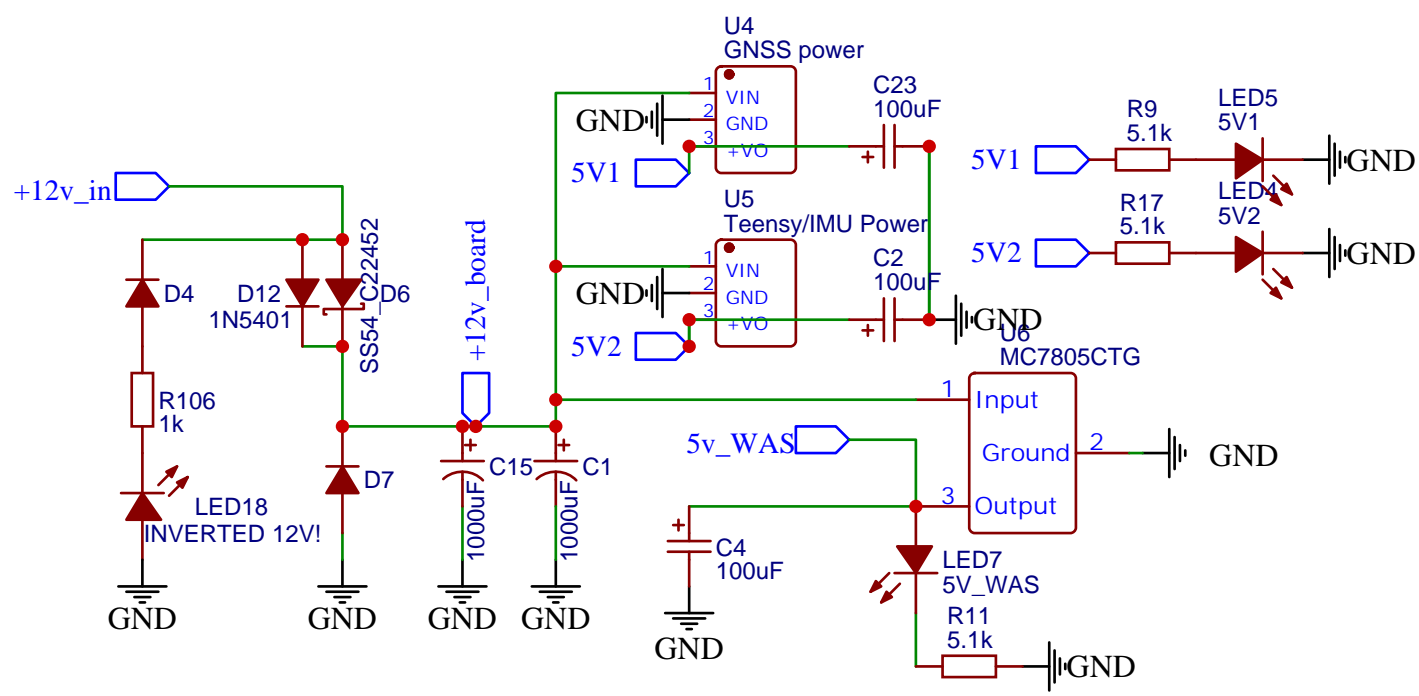
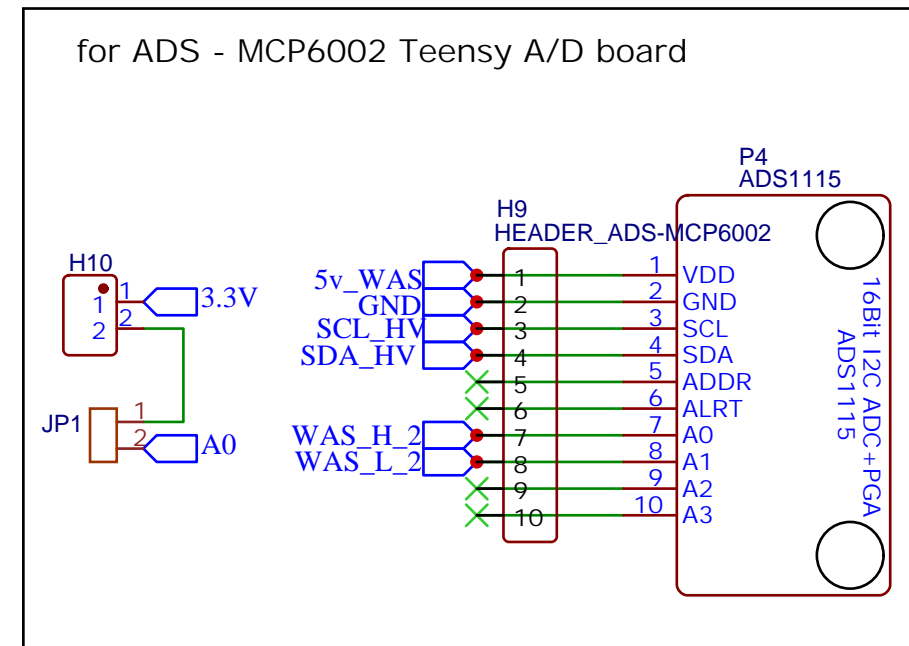
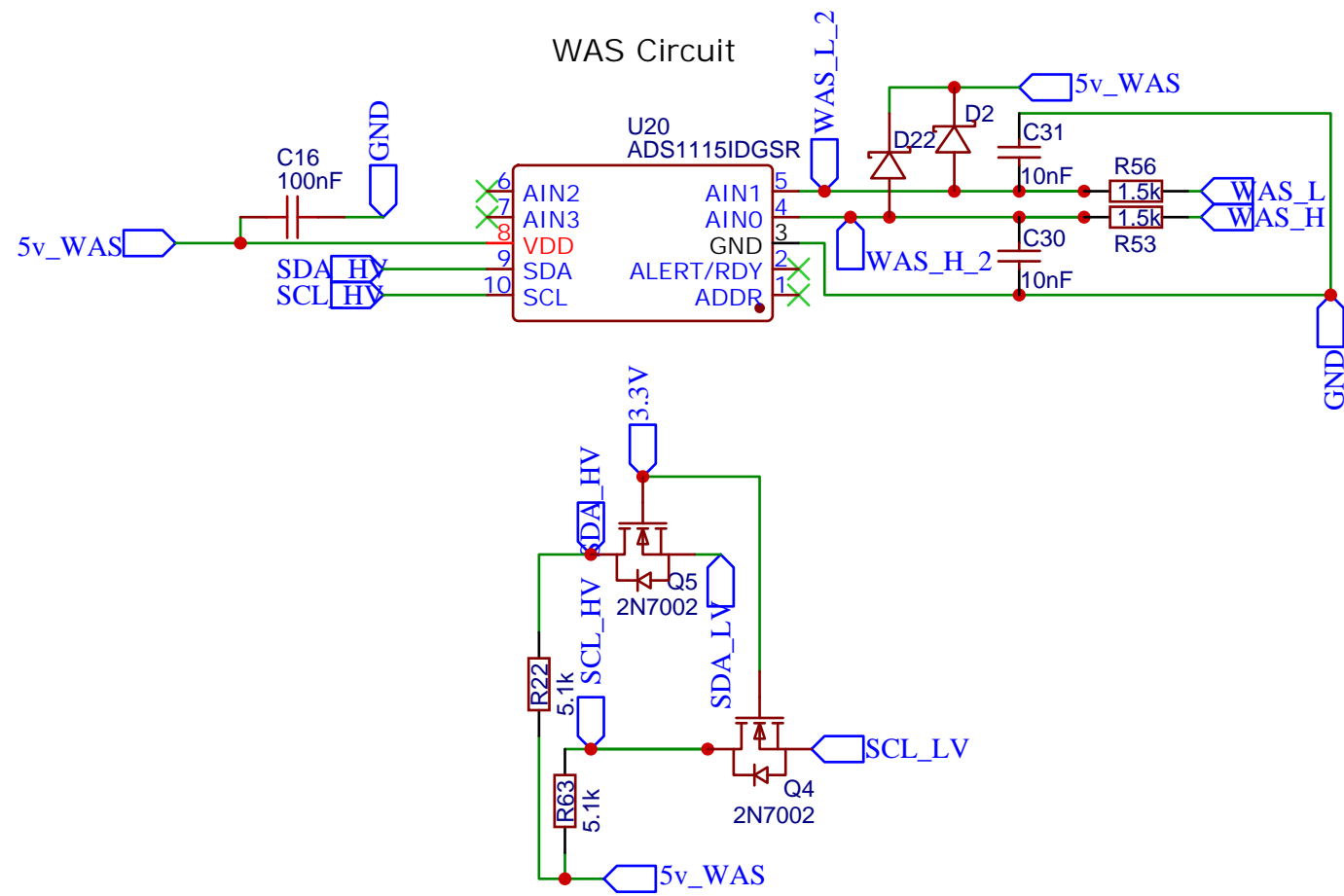


Power Input/Converters

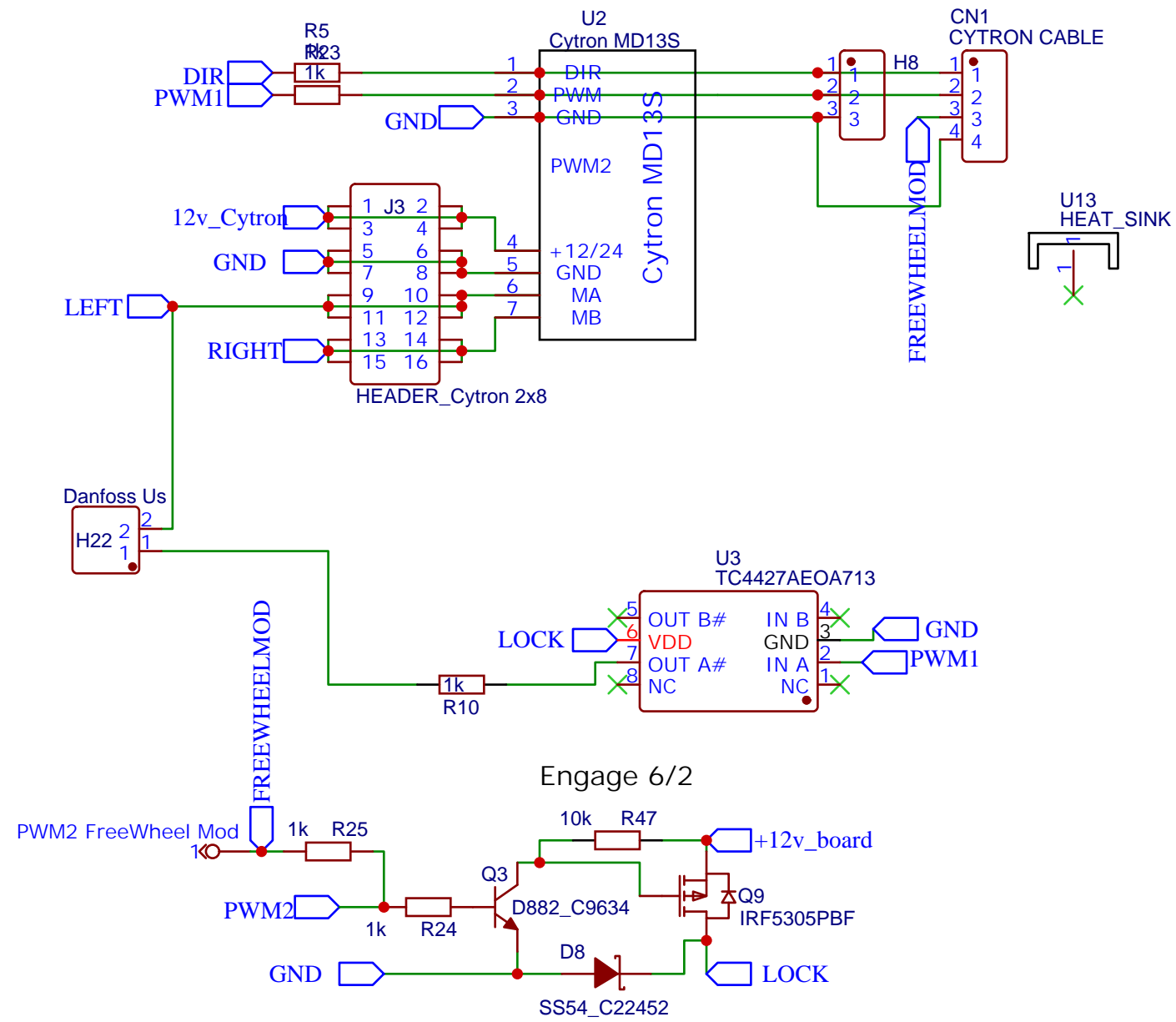


TITLE:	Sheet_1	REV: 1.0
	Company: Your Company	Sheet: 1/1
	Date: 2023-03-03	Drawn By: Richard Klasens



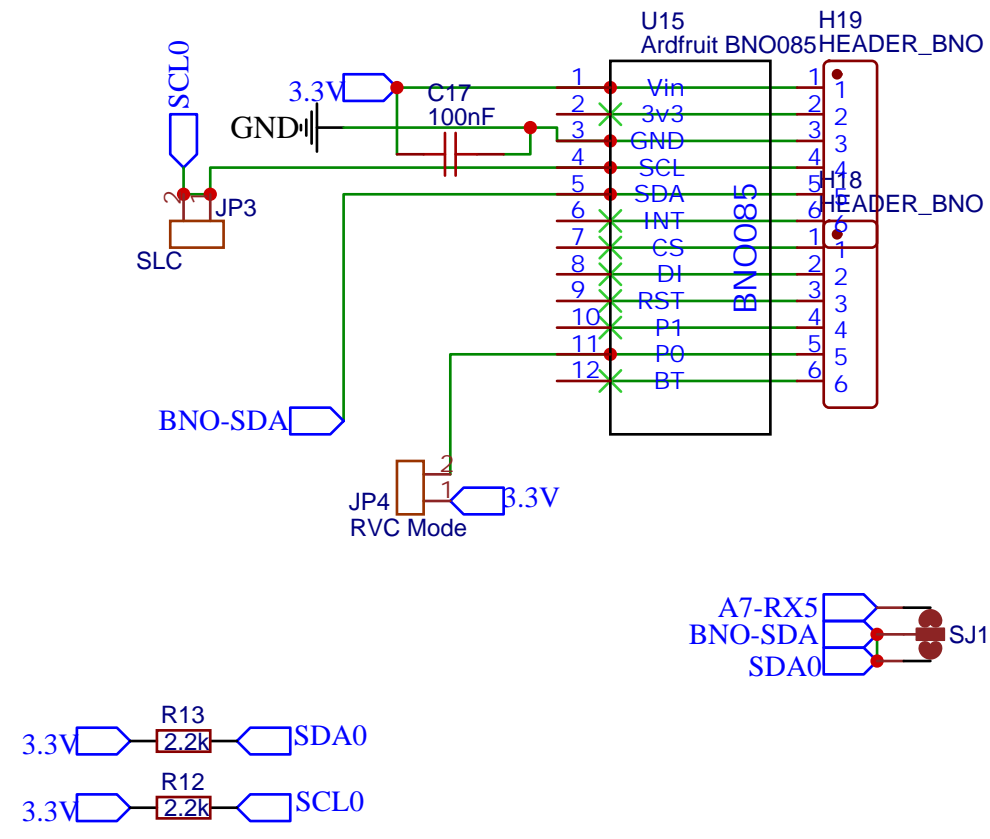
TITLE: Sheet_1		REV: 1.0
嘉立创EDA	Company: Your Company	Sheet: 1/1
	Date: 2023-03-03	Drawn By: Richard Klasens

MOTOR/VALVE CONTROL

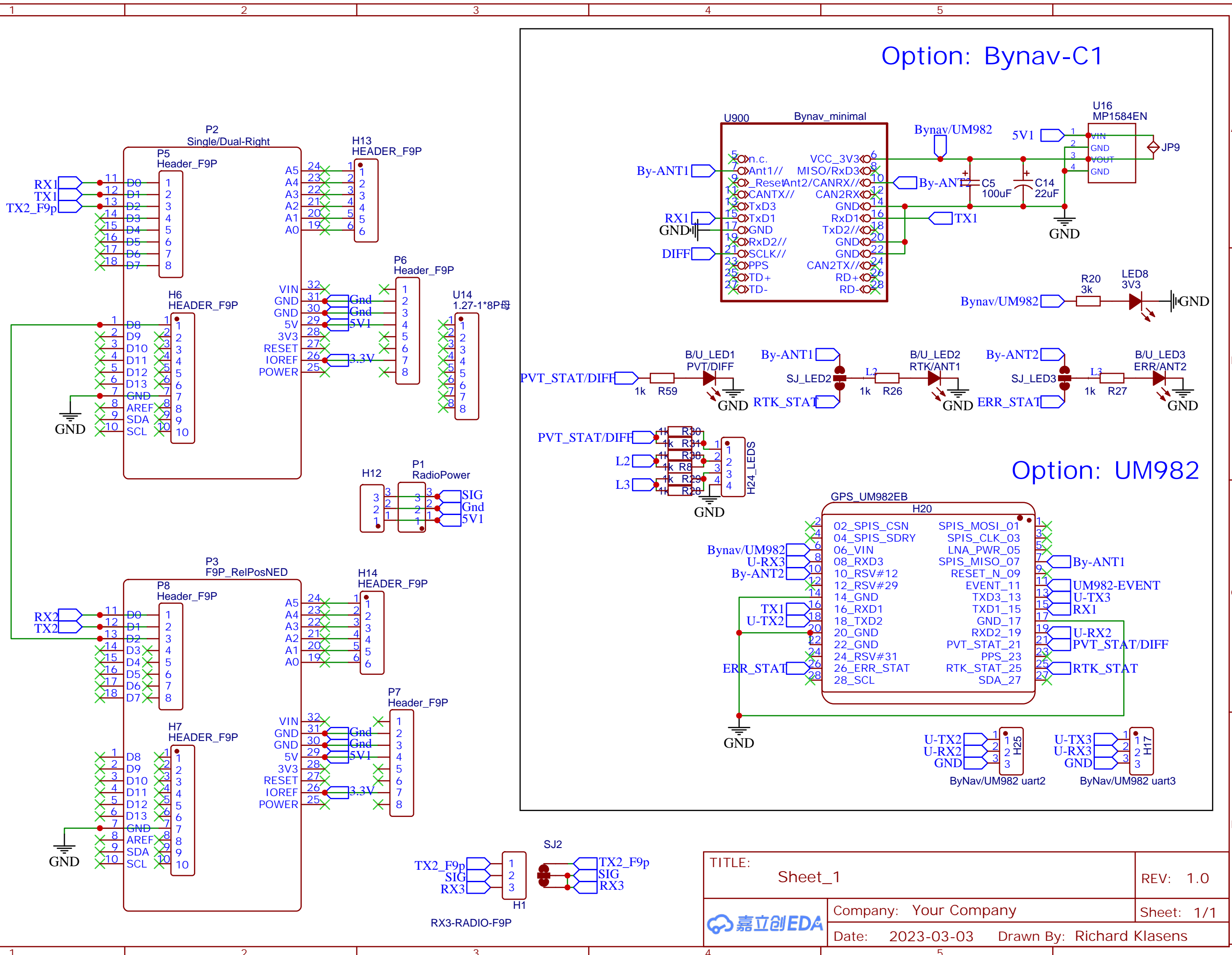
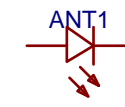
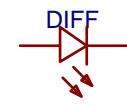


TITLE: Sheet_1	REV: 1.0
Company: Your Company	Sheet: 1/1
Date: 2023-03-03	Drawn By: Richard Klasens

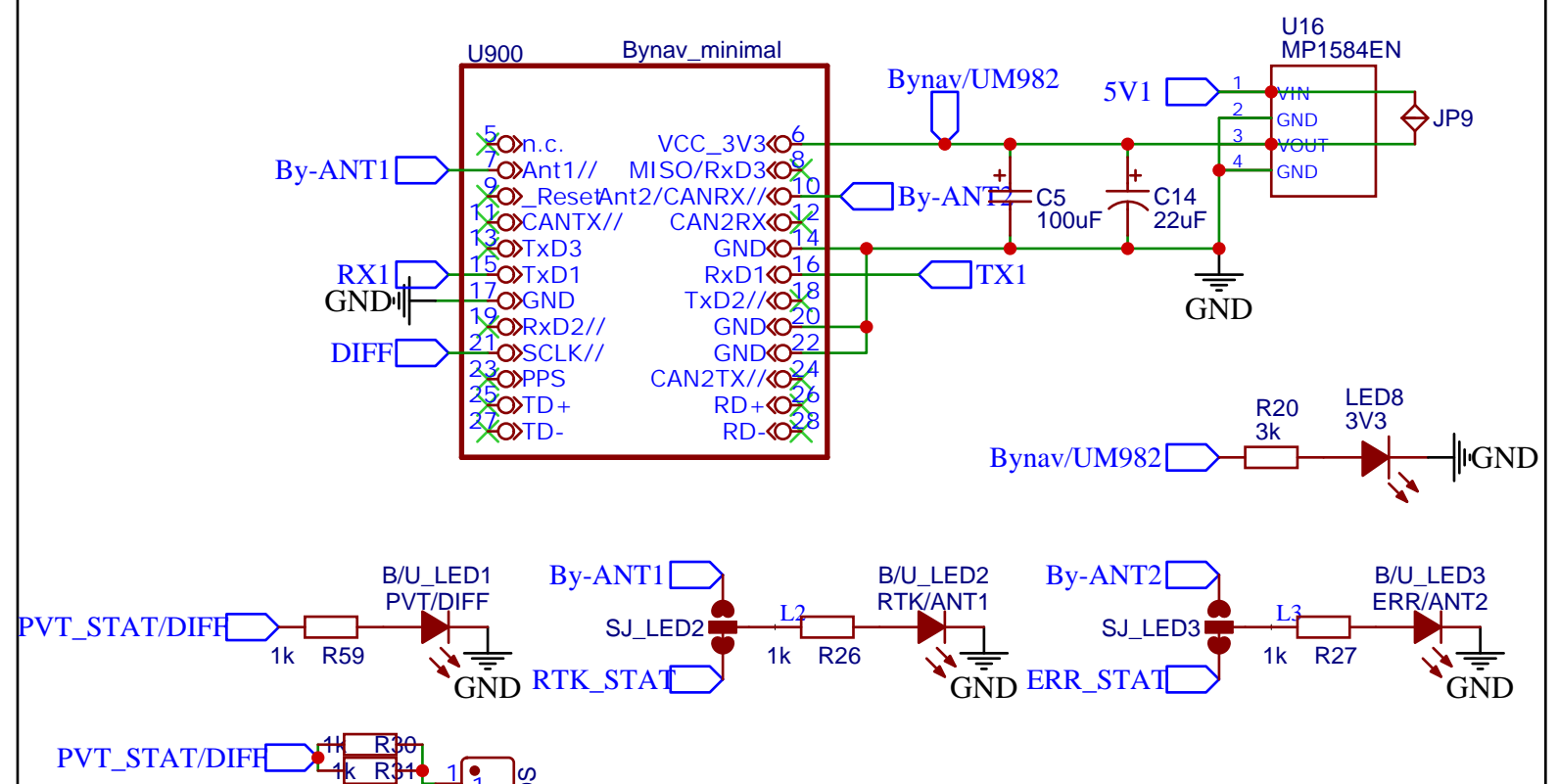




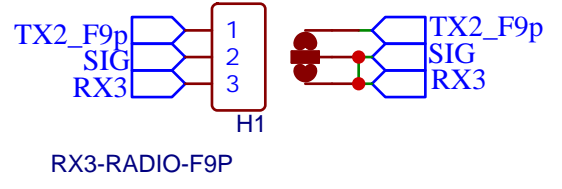
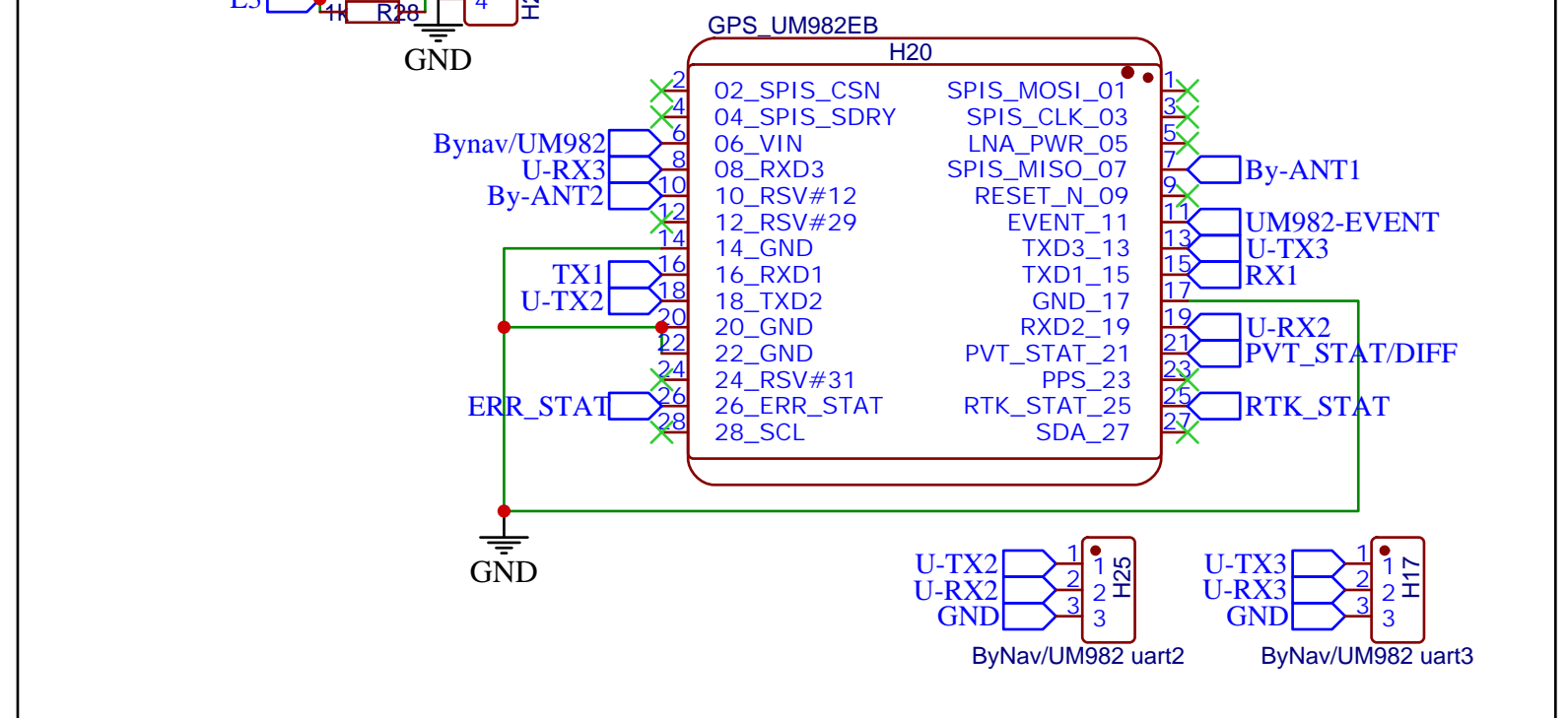
TITLE: Sheet_1		REV: 1.0
嘉立创EDA	Company: Your Company	Sheet: 1/1
	Date: 2023-03-03	Drawn By: Richard Klasens



Option: Bynav-C1



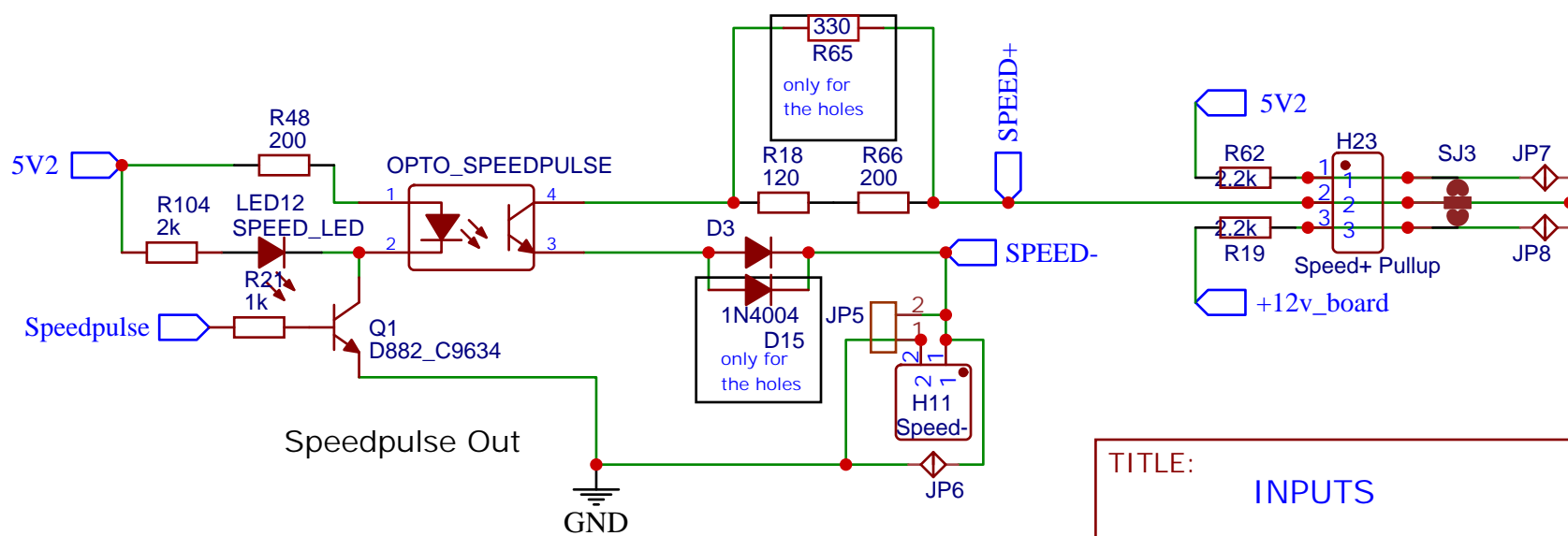
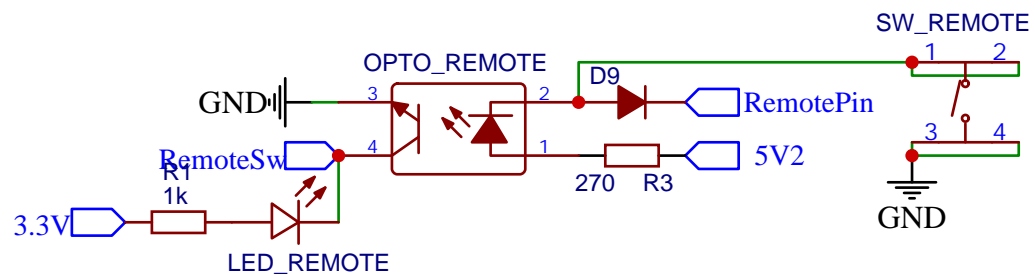
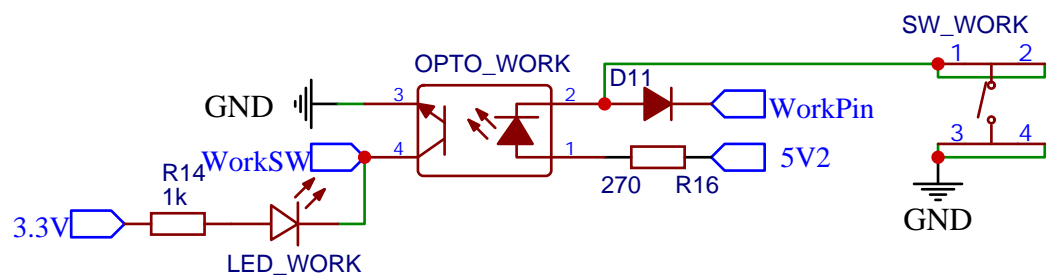
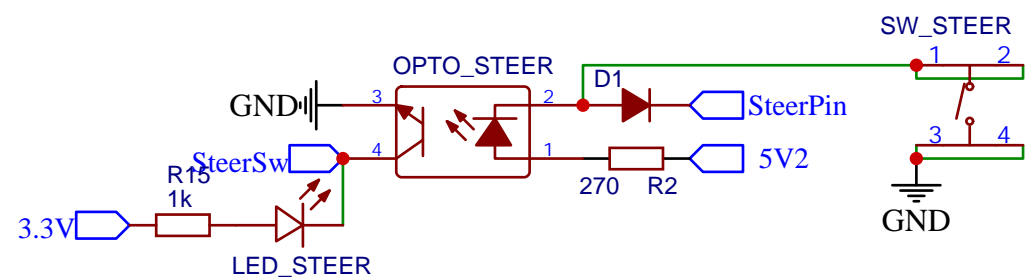
Option: UM982



TITLE: Sheet_1		REV: 1.0
Company: Your Company		Sheet: 1/1
Date: 2023-03-03	Drawn By: Richard Klasens	



# Input Switches

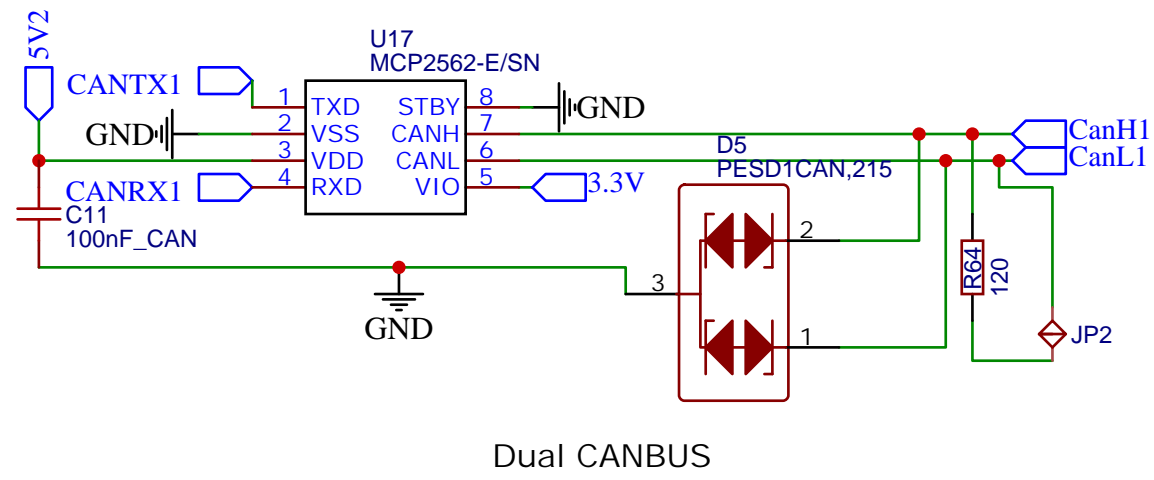


TITLE:	INPUTS	REV:	1.0
	Company:	Your Company	
	Date:	2023-03-03	Drawn By:
		Sheet:	1/1

Main Connectors, just pick the one you want

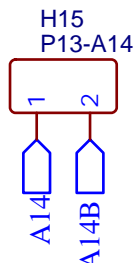
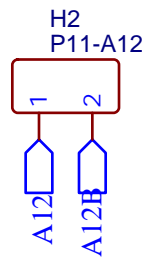
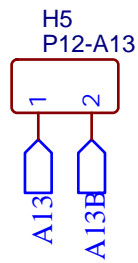
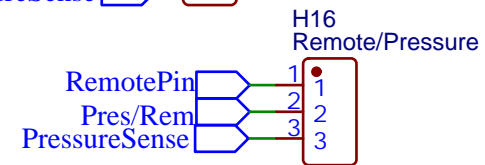
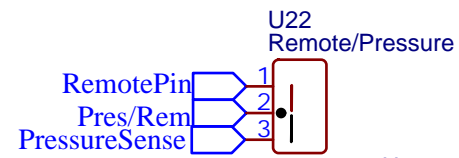
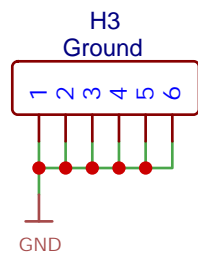


TITLE: Sheet_1		REV: 1.0
嘉立创EDA	Company: Your Company	Sheet: 1/1
	Date: 2023-03-03	Drawn By: Richard Klasens

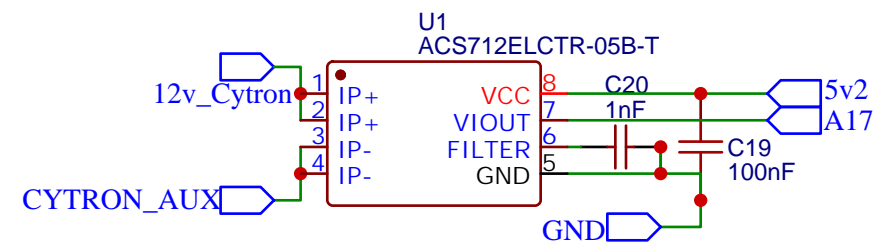
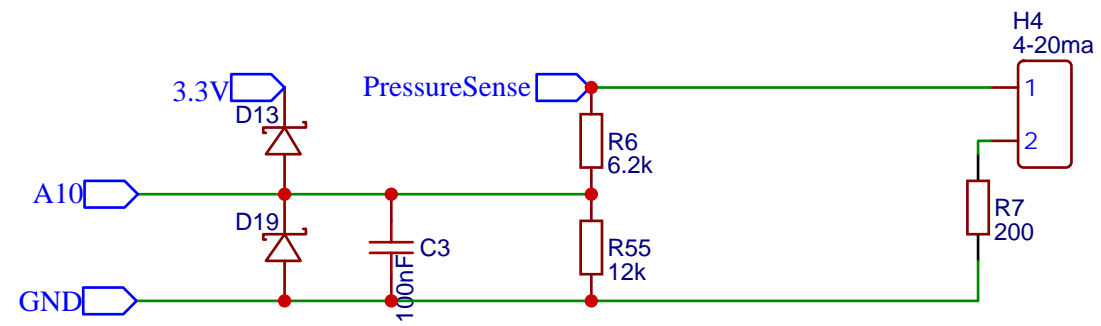


TITLE: Sheet_1		REV: 1.0
嘉立创EDA	Company: Your Company	Sheet: 1/1
	Date: 2023-03-03	Drawn By: Richard Klasens





TITLE: Sheet_1		REV: 1.0
嘉立创EDA	Company: Your Company	Sheet: 1/1
	Date: 2023-03-03	Drawn By: Richard Klasens



PRESSURE/CURRENT CIRCUIT

TITLE: Sheet_1		REV: 1.0
	Company: Your Company	Sheet: 1/1
	Date: 2023-03-03	Drawn By: Richard Klasens