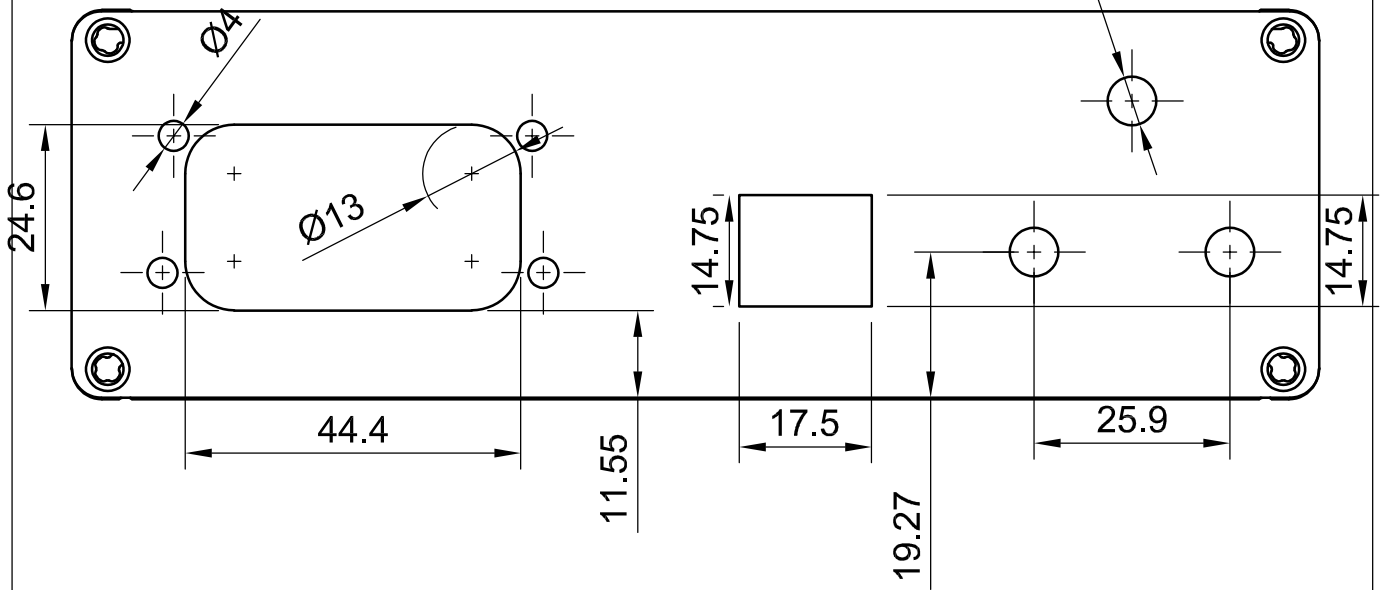
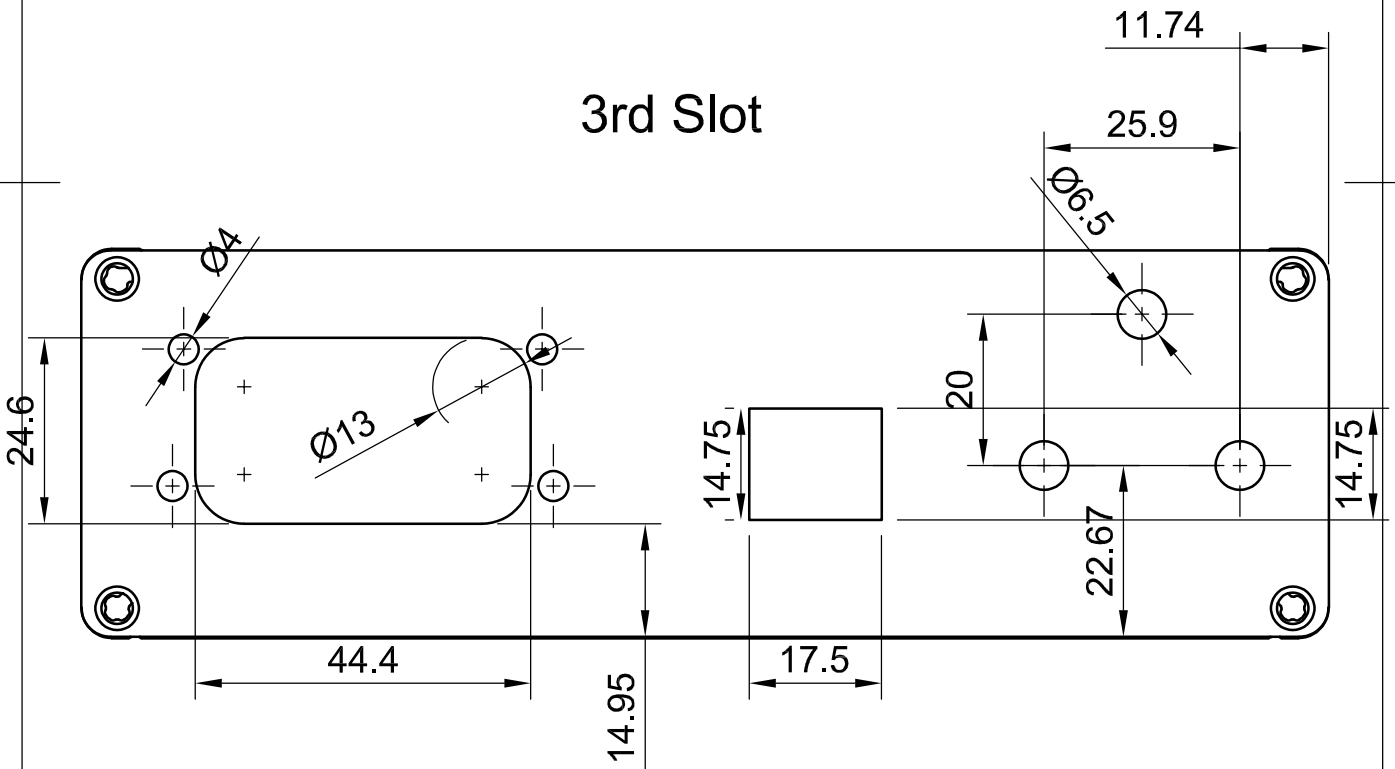


2nd Slot



3rd Slot



Dept.	Technical reference	Created by VILI	Approved by
		04/12/2022	
		Document type Hammond Holes	Document status
		Title All in One Micro AMP Connector	DWG No. 1
		Rev. 1.1	Date of issue 04/12/2022
			Sheet 1/1