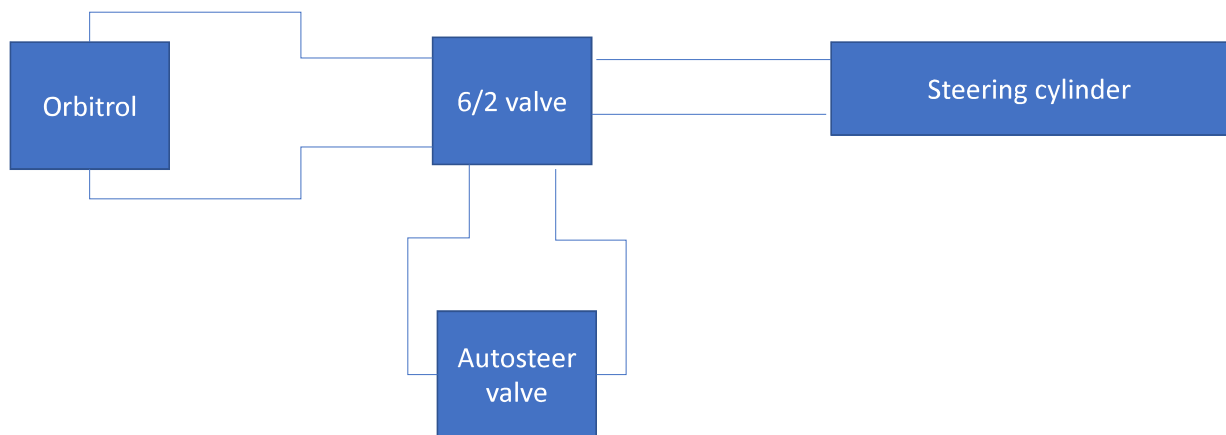


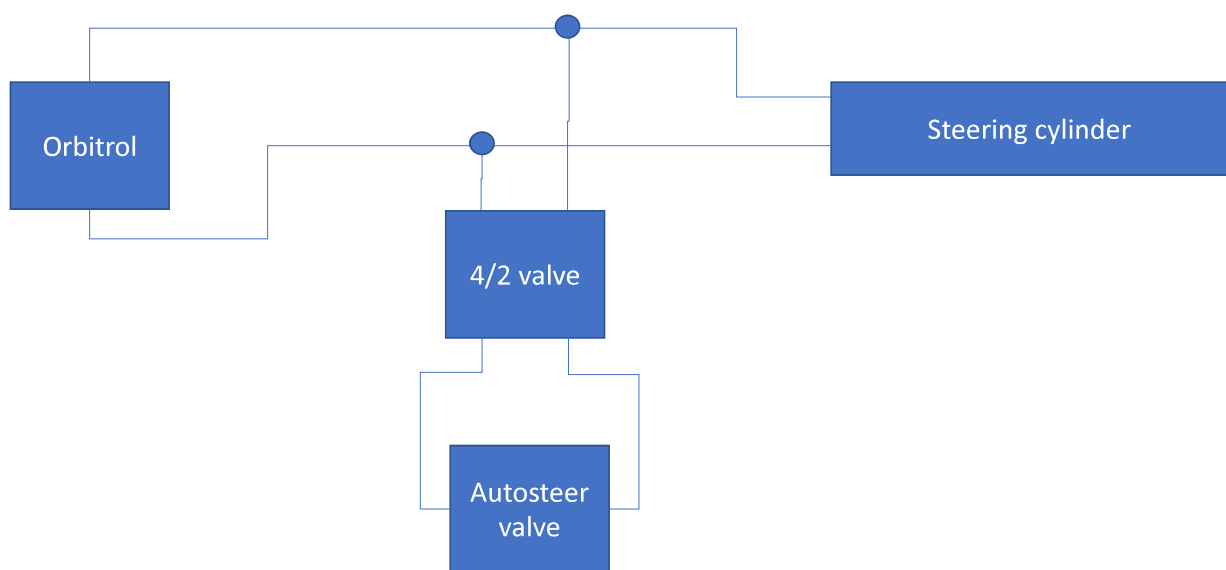
With 6/2 valve, assuming no electric fault

$P(\text{No steering}) = P(\text{6/2 stuck to autosteer})$



With 4/2 cutoff valve, assuming no electric fault

$$P(\text{No steering}) = P(4/2 \text{ stuck to autosteer}) * P(\text{autosteer stuck open})$$



Without cutoff valve, assuming no electric fault

$P(\text{No steering}) = P(\text{autosteer stuck open})$

